

**GENERAL CATALOGUE**  
*CATALOGUE GÉNÉRAL*

**MADE IN SPAIN**

# LOCATION SITUATION

Located in the Northern Spain and next to the French border, within the region of Guipúzcoa. The area is an important industrial zone with outstanding innovation background and very good connections with the rest of Europe.

*Situé à Aretxabaleta. Dans la région de Guipuzcoa de l'Alto Deba. Un noyau industriel de référence avec une expérience remarquable en innovation de produit et parfaitement desservie avec le reste de la péninsule et l'Europe.*



By means of our investment in research, development & innovation and a management model based in the participation and involvement of our staff, we offer a quick and complete solution to our customers with the certifications required in each case.

*Par notre investissement dans la recherche, le développement et l'innovation et par un modèle de gestion basé sur la participation et l'engagement de notre personnel, nous offrons une solution rapide et complète à nos clients avec les authentifications requises dans chaque cas.*

solid experience  
*expérience*

and future  
*et avenir*

More than 70 years within the locksmith's industry provide us knowledge about this industry, the supply chain and customer needs. But especially it has made us understand that it was time to go ahead and to invest in a new and modern factory.

*Plus de 70 ans dans le monde de la serrurerie nous apportent un contrôle du milieu, des réseaux de distribution et des nécessités du client. Mais surtout, cela nous a permis de comprendre que le moment était venu de faire un pas en avant.*



**INDEX / INDEX PAR RÉFÉRENCE**

REF. / RÉF.	PAG. / PAG.	REF. / RÉF.	PAG. / PAG.	REF. / RÉF.	PAG. / PAG.	REF. / RÉF.	PAG. / PAG.
1122A70D/0	76	122A70D/1	76	156B60/1	71	192/25/6	20
1122A70D/1	76	122A70I/0	76	156BR70D/0	71	192/30/6	20
1122A70I/0	76	122A70I/1	76	156BR70D/1	71	192/35/6	20
1122A70I/1	76	122C70D/0	77	156BR70I/0	71	192C25/6	20
1122C70D/0	77	122C70D/1	77	156BR70I/1	71	192C30/6	20
1122C70D/1	77	122C70I/0	77	156C60D/0	72	192C35/6	20
1122C70I/0	77	122C70I/1	77	156C60D/1	72	192V25/6	20
1122C70I/1	77	123A10D/0	78	156C60I/0	72	192V30/6	20
1123A10D/0	78	123A10D/1	78	156C60I/1	72	192V35/6	20
1123A10D/1	78	123A10I/0	78	156C70D/0	72	194/25/6	21
1123A10I/0	78	123A10I/1	78	156C70D/1	72	194/25/6U	21
1123A10I/1	78	123A12D/0	78	156C70I/0	72	194/30/6	21
1123A12D/0	78	123A12D/1	78	156C70I/1	72	194/30/6U	21
1123A12D/1	78	123A12I/0	78	183/25/0	27	194/35/6	21
1123A12I/0	78	123A12I/1	78	183/25/6	27	194/35/6U	21
1123A12I/1	78	123C10D/0	79	183/30/0	27	194C25/6	21
1123C10D/0	79	123C10D/1	79	183/30/6	27	194C25/6U	21
1123C10D/1	79	123C10I/0	79	183/35/0	27	194C30/6	21
1123C10I/0	79	123C10I/1	79	183/35/6	27	194C30/6U	21
1123C10I/1	79	123C12D/0	79	183C25/6	27	194C35/6	21
1123C12D/0	79	123C12D/1	79	183C30/6	27	194C35/6U	21
1123C12D/1	79	123C12I/0	79	183C35/6	27	194T25/6	21
1123C12I/0	79	123C12I/1	79	183T25/6	27	194T25/6U	21
1123C12I/1	79	124A10D/0	75	183T30/6	27	194T30/6	21
1124A10D/0	75	124A10D/1	75	183T35/6	27	194T30/6U	21
1124A10D/1	75	124A10I/0	75	184/23/0	8	194T35/6	21
1124A10I/0	75	124A10I/1	75	184/23/6	8	194T35/6U	21
1124A10I/1	75	124A12D/0	75	184/25/0	8	194V25/6	22
1124A12D/0	75	124A12D/1	75	184/25/6	8	194V25/6U	22
1124A12D/1	75	124A12I/0	75	184/28/0	8	194V30/6	22
1124A12I/0	75	124A12I/1	75	184/28/6	8	194V30/6U	22
1124A12I/1	75	124A14D/0	75	184/30/0	8	194V35/6	22
1124A14D/0	75	124A14D/1	75	184/30/6	8	194V35/6U	22
1124A14D/1	75	124A14I/0	75	184/33/0	8	196/25/6	11
1124A14I/0	75	124A14I/1	75	184/33/6	8	196/30/6	11
1124A14I/1	75	124A8D/0	75	184/35/0	8	196/33/6	11
1124A8D/0	75	124A8D/1	75	184/35/6	8	196/35/6	11
1124A8D/1	75	124A8I/0	75	184A23/0	8	1960/60/2	95
1124A8I/0	75	124A8I/1	75	184A23/6	8	1960/60/6	95
1124A8I/1	75	125A12D/0	73	184A25/0	8	1960/70/2	95
1125A12D/0	73	125A12D/1	73	184A25/6	8	1960/70/6	95
1125A12D/1	73	125A12I/0	73	184A28/0	8	1960A60/2	95
1125A12I/0	73	125A12I/1	73	184A28/6	8	1960A60/6	95
1125A12I/1	73	125A14D/0	73	184A30/0	8	1960A70/2	95
1125A14D/0	73	125A14D/1	73	184A30/6	8	1960A70/6	95
1125A14D/1	73	125A14I/0	73	184A33/0	8	1960T60/2	95
1125A14I/0	73	125A14I/1	73	184A33/6	8	1960T60/6	95
1125A14I/1	73	125A8D/0	73	184A35/0	8	1960T70/2	95
1125A8D/0	73	125A8D/1	73	184A35/6	8	1960T70/6	95
1125A8D/1	73	125A8I/0	73	184C23/6	9	1961/60/2	96
1125A8I/0	73	125A8I/1	73	184C25/6	9	1961/70/2	96
1125A8I/1	73	125AR10D/0	73	184C28/6	9	1961A60/2	96
1125AR10D/0	73	125AR10D/1	73	184C30/6	9	1961A70/2	96
1125AR10D/1	73	125AR10I/0	73	184C33/6	9	1962/60/2	97
1125AR10I/0	73	125AR10I/1	73	184C35/6	9	1962/70/2	97
1125AR10I/1	73	125BR12D/0	74	184R23/6	9	1962A60/2	97
1125BR12D/0	74	125BR12D/1	74	184R25/6	9	1962A70/2	97
1125BR12D/1	74	125BR12I/0	74	184R28/6	9	1962T60/2	97
1125BR12I/0	74	125BR12I/1	74	184R30/6	9	1962T70/2	97
1125BR12I/1	74	125BR14D/0	74	184R33/6	9	1963/0	52
1125BR14D/0	74	125BR14D/1	74	184R35/6	9	1963/5	52
1125BR14D/1	74	125BR14I/0	74	184RV/6	9	1963/6	52
1125BR14I/0	74	125BR14I/1	74	184V23/0	10	1963A/0	52
1125BR14I/1	74	156A60D/0	70	184V23/6	10	1963A/5	52
11981/60/0	57	156A60D/1	70	184V25/0	10	1963A/6	52
11981/60/5	57	156A60I/0	70	184V25/6	10	1963C/6	52
11981V60/0	57	156A60I/1	70	184V28/0	10	1963CP16/6	53
11981V60/5	57	156A70D/0	70	184V28/6	10	1963R/0	53
11A	62	156A70D/1	70	184V30/0	10	1963RV/0	53
11A/3P	62	156A70I/0	70	184V30/6	10	1963V/0	53
11B	64	156A70I/1	70	184V33/0	10	1963V/5	53
11B/M	64	156B60D/0	71	184V33/6	10	1963V/6	53
11E	63	156B60D/1	71	184V35/0	10	1964/0	55
122A70D/0	76	156B60I/0	71	184V35/6	10	1964/5	55



## INDEX / INDEX PAR RÉFÉRENCE

REF. / RÉF.	PAG. / PAG.	REF. / RÉF.	PAG. / PAG.	REF. / RÉF.	PAG. / PAG.	REF. / RÉF.	PAG. / PAG.
1964/6	55	1975V/5	54	1985C60/6	91	234/50/1	83
1964A/0	55	1976/1	80	1985T40/2	92	234/60/1	83
1964A/5	55	1978/0	81	1985T40/6	92	234/70/1	83
1964A/6	55	1978/1	81	1985T50/2	92	236/50/1	84
1964C/0	55	1979/0	61	1985T50/6	92	236/60/1	84
1964C/6	55	1979/5	61	1985T60/2	92	236/70/1	84
1964CP/6	55	1979P/0	61	1985T60/6	92	249B50/2	101
1964R/0	56	1979P/5	61	1988/0	82	249B60/2	101
1964RV/0	56	197K25/6	13	1988/1	82	249C50/2	101
1964T/0	56	197K30/6	13	1990/20/0	40	249C60/2	101
1964T/5	56	197K33/6	13	1990/20/5	40	249C70/2	101
1964T/6	56	197K35/6	13	1990/20/6	40	249R50/2	101
1964V/0	56	1981/60/0	57	1990/25/0	40	249R60/2	101
1964V/5	56	1981/60/5	57	1990/25/5	40	249R70/2	101
1964V/6	56	1981V60/0	57	1990/25/6	40	294/25/6	23
1968/0	59	1981V60/5	57	1990/32/0	40	294/30/6	23
1968/5	59	1982/0	60	1990/32/5	40	294/35/6	23
196A25/6	11	1982/5	60	1990/32/6	40	294V25/6	24
196A30/6	11	1983/20/0	50	1990A20/0	40	294V30/6	24
196A33/6	11	1983/20/5	50	1990A20/5	40	294V35/6	24
196A35/6	11	1983/20/6	50	1990A20/6	40	296/25/6	14
196C25/6	12	1983/25/0	50	1990A25/0	40	296/30/6	14
196C30/6	12	1983/25/5	50	1990A25/5	40	296/33/6	14
196C33/6	12	1983/25/6	50	1990A25/6	40	296/35/6	14
196C35/6	12	1983/30/0	50	1990A32/0	40	296A25/6	15
196T25/6	12	1983/30/5	50	1990A32/5	40	296A30/6	15
196T30/6	12	1983/30/6	50	1990A32/6	40	296A33/6	15
196T33/6	12	1983A20/0	50	1990V20/0	40	296A35/6	15
196T35/6	12	1983A20/5	50	1990V20/5	40	296V25/6	15
196V25/6	12	1983A25/0	50	1990V20/6	40	296V30/6	15
196V30/6	12	1983A25/5	50	1990V25/0	40	296V33/6	15
196V33/6	12	1983A30/0	50	1990V25/5	40	296V35/6	15
196V35/6	12	1983A30/5	50	1990V25/6	40	2994/25/6	43
197/25/6	13	1983C20/6	50	1990V32/0	40	2994/25/6L	43
197/30/6	13	1983C25/6	50	1990V32/5	40	2994/30/6	43
197/33/6	13	1983C30/6	50	1990V32/6	40	2994/30/6L	43
197/35/6	13	1983R20/0	51	1991/60/0	58	2994/35/6	43
1970/40/2	93	1983R25/0	51	1991/60/5	58	2994/35/6L	43
1970/40/6	93	1983R30/0	51	1991/70/0	58	2994A25/6	44
1970/50/2	93	1983RV/0	51	1991/70/5	58	2994A25/6L	44
1970/50/6	93	1983T20/6	51	1992/20/6	49	2994A30/6	44
1970/60/2	93	1983T25/6	51	1992/25/6	49	2994A30/6L	44
1970/60/6	93	1983T30/6	51	1992/30/6	49	2994A35/6	44
1970A40/2	93	1984/20/0	36	1992C20/6	49	2994A35/6L	44
1970A40/6	93	1984/20/5	36	1992C25/6	49	2994V25/6	44
1970A50/2	93	1984/20/6	36	1992C30/6	49	2994V25/6L	44
1970A50/6	93	1984/25/0	36	1992T20/6	49	2994V30/6	44
1970A60/2	93	1984/25/5	36	1992T25/6	49	2994V30/6L	44
1970A60/6	93	1984/25/6	36	1992T30/6	49	2994V35/6	44
1970C40/2	93	1984/30/0	36	1994/25/6	41	2994V35/6L	44
1970C40/6	93	1984/30/5	36	1994/25/6L	41	3000AD	138
1970C50/2	93	1984/30/6	36	1994/30/6	41	3000AI	138
1970C50/6	93	1984C20/6	36	1994/30/6L	41	3000D	138
1970C60/2	93	1984C25/6	36	1994/35/6	41	3000I	138
1970C60/6	93	1984C30/6	36	1994/35/6L	41	3001	138
1970T40/2	94	1984T20/6	37	1994A25/6	42	3005/6	139
1970T40/6	94	1984T25/6	37	1994A25/6L	42	3994/25/6	45
1970T50/2	94	1984T30/6	37	1994A30/6	42	3994/25/6L	45
1970T50/6	94	1984V20/6	37	1994A30/6L	42	3994/30/6	45
1970T60/2	94	1984V25/6	37	1994A35/6	42	3994/30/6L	45
1970T60/6	94	1984V30/6	37	1994A35/6L	42	3994/35/6	45
1970V40/2	94	1985/3P/2	91	1994V25/6	42	3994/35/6L	45
1970V40/6	94	1985/3P/6	91	1994V25/6L	42	3994A25/6	45
1970V50/2	94	1985/40/2	91	1994V30/6	42	3994A25/6L	45
1970V50/6	94	1985/40/6	91	1994V30/6L	42	3994A30/6	45
1970V60/2	94	1985/50/2	91	1994V35/6	42	3994A30/6L	45
1970V60/6	94	1985/50/6	91	1994V35/6L	42	3994A35/6	45
1975/0	54	1985/60/2	91	1995/32/0	38	3994A35/6L	45
1975/5	54	1985/60/6	91	1995/32/5	38	3994F25/6	46
1975A/0	54	1985C40/2	91	1995/32/6	38	3994F25/6L	46
1975A/5	54	1985C40/6	91	1995A32/6	38	3994F30/6	46
1975T/0	54	1985C50/2	91	1995R32/0	38	3994F30/6L	46
1975T/5	54	1985C50/6	91	1995T32/6	39	3994F35/6	46
1975V/0	54	1985C60/2	91	1995V32/6	39	3994F35/6L	46



**INDEX / INDEX PAR RÉFÉRENCE**

REF. / RÉF.	PAG. / PAG.	REF. / RÉF.	PAG. / PAG.	REF. / RÉF.	PAG. / PAG.	REF. / RÉF.	PAG. / PAG.
3994V25/6	46	4994/35/6	47	5963/3535/3	121	5982/3555/3	112
3994V25/6L	46	4994/35/6L	47	5963/3535/4	121	5982/3555/4	112
3994V30/6	46	4994A25/6	47	5963/4040/3	121	5982/4040/3	112
3994V30/6L	46	4994A25/6L	47	5963/4040/4	121	5982/4040/4	112
3994V35/6	46	4994A30/6	47	5963T36/3	121	5982/4545/3	112
3994V35/6L	46	4994A30/6L	47	5963T36/4	121	5982/4545/4	112
4000/50/2ZB	88	4994A35/6	47	5964/2525/3	125	5982/5050/3	112
4000/50/6HB	136	4994A35/6L	47	5964/2525/4	125	5982/5050/4	112
4000/50/6HP	136	4994F25/6	48	5964/3030/3	125	5982/5555/3	112
4000/50/6ZB	88	4994F25/6L	48	5964/3030/4	125	5982/5555/4	112
4000/60/2ZB	88	4994F30/6	48	5964/4040/3	125	5982P2525/3	113
4000/60/6HB	136	4994F30/6L	48	5964/4040/4	125	5982P2525/4	113
4000/60/6HP	136	4994F35/6	48	5964P3030/3	125	5982P2535/3	113
4000/60/6ZB	88	4994F35/6L	48	5964P3030/4	125	5982P2535/4	113
4000A50/2ZB	88	4994V25/6	48	5964T25/3	125	5982P2545/3	113
4000A50/6ZB	88	4994V25/6L	48	5964T25/4	125	5982P2545/4	113
4000A60/2ZB	88	4994V30/6	48	5964T30/3	125	5982P25T25/3	113
4000A60/6ZB	88	4994V30/6L	48	5964T30/4	125	5982P25T25/4	113
4001/50/2ZB	88	4994V35/6	48	5964T40/3	125	5982P3030/3	113
4001/50/6HB	136	4994V35/6L	48	5964T40/4	125	5982P3030/4	113
4001/50/6HP	136	5000/1N	131	5968/2525/3	126	5982P3535/3	113
4001/50/6ZB	88	5000/1NM	131	5968/2525/4	126	5982P3535/4	113
4001/60/2ZB	88	5000/6	131	5968/3030/3	126	5982PM2525/3	114
4001/60/6HB	136	5081/3030/3	122	5968/3030/4	126	5982PM2525/4	114
4001/60/6HP	136	5081/3030/4	122	5968/4040/3	126	5982PM2535/3	114
4001/60/6ZB	88	5181/3030/3	122	5968/4040/4	126	5982PM2535/4	114
4001A50/2ZB	88	5181/3030/4	122	5968P3030/3	126	5982PM2545/3	114
4001A50/6ZB	88	5500/1N	132	5968P3030/4	126	5982PM2545/4	114
4001A60/2ZB	88	5500/1NM	132	5968T25/3	126	5982PT2505/3	113
4001A60/6ZB	88	5500/6	132	5968T25/4	126	5982PT2505/4	113
4010/50D/6HB	137	5500/6E	132	5968T30/3	126	5982PT2525/3	113
4010/50D/6HP	137	56A60D/0	70	5968T30/4	126	5982PT2525/4	113
4010/50I/6HB	137	56A60D/1	70	5968T40/3	126	5982PT2535/3	113
4010/50I/6HP	137	56A60I/0	70	5968T40/4	126	5982PT2535/4	113
4010/60D/6HB	137	56A60I/1	70	596A25/6	19	5982T40/3	113
4010/60D/6HP	137	56A70D/0	70	596A30/6	19	5982T40/4	113
4010/60I/6HB	137	56A70D/1	70	596A33/6	19	5982T50/3	113
4010/60I/6HP	137	56A70I/0	70	596A35/6	19	5982T50/4	113
4011/50D/6HB	137	56A70I/1	70	596V25/6	19	5982T60/3	113
4011/50D/6HP	137	56B60D/0	71	596V30/6	19	5982T60/4	113
4011/50I/6HB	137	56B60D/1	71	596V33/6	19	5990/2525/3	115
4011/50I/6HP	137	56B60I/0	71	596V35/6	19	5990/2525/4	115
4011/60D/6HB	137	56B60I/1	71	5979/3030/3	127	5990/2530/3	115
4011/60D/6HP	137	56BR70D/0	71	5979/3030/4	127	5990/2530/4	115
4011/60I/6HB	137	56BR70D/1	71	5979P3030/3	127	5990/2535/3	115
4011/60I/6HP	137	56BR70I/0	71	5979P3030/4	127	5990/2535/4	115
4100/50/2	89	56BR70I/1	71	5982/2525/3	112	5990/2545/3	115
4100/60/2	89	56C60D/0	72	5982/2525/4	112	5990/2545/4	115
4110/50D/2	90	56C60D/1	72	5982/2530/3	112	5990/2555/3	115
4110/50I/2	90	56C60I/0	72	5982/2530/4	112	5990/2555/4	115
4110/60D/2	90	56C60I/1	72	5982/2535/3	112	5990/2565/3	115
4110/60I/2	90	56C70D/0	72	5982/2535/4	112	5990/2565/4	115
494/25/6	25	56C70D/1	72	5982/2545/3	112	5990/2575/3	115
494/30/6	25	56C70I/0	72	5982/2545/4	112	5990/2575/4	115
494/35/6	25	56C70I/1	72	5982/2555/3	112	5990/3030/3	115
494V25/6	26	596/25/6	18	5982/2555/4	112	5990/3030/4	115
494V30/6	26	596/30/6	18	5982/2565/3	112	5990/3040/3	115
494V35/6	26	596/33/6	18	5982/2565/4	112	5990/3040/4	115
496/25/6	16	596/35/6	18	5982/2575/3	112	5990/3045/3	115
496/30/6	16	5961/2525/3	123	5982/2575/4	112	5990/3045/4	115
496/33/6	16	5961/2525/4	123	5982/3030/3	112	5990/3050/3	115
496/35/6	16	5961/3030/3	123	5982/3030/4	112	5990/3050/4	115
496A25/6	17	5961/3030/4	123	5982/3040/3	112	5990/3535/3	115
496A30/6	17	5962/2525/3	124	5982/3040/4	112	5990/3535/4	115
496A33/6	17	5962/3030/3	124	5982/3045/3	112	5990/3540/3	115
496A35/6	17	5962/4040/3	124	5982/3045/4	112	5990/3540/4	115
496V25/6	17	5962T30/3	124	5982/3050/3	112	5990/3545/3	115
496V30/6	17	5962T40/3	124	5982/3050/4	112	5990/3545/4	115
496V33/6	17	5963/2222/3	121	5982/3535/3	112	5990/3555/3	115
496V35/6	17	5963/2222/4	121	5982/3535/4	112	5990/3555/4	115
4994/25/6	47	5963/2525/3	121	5982/3540/3	112	5990/4040/3	115
4994/25/6L	47	5963/2525/4	121	5982/3540/4	112	5990/4040/4	115
4994/30/6	47	5963/3030/3	121	5982/3545/3	112	5990/4545/3	115
4994/30/6L	47	5963/3030/4	121	5982/3545/4	112	5990/4545/4	115



**INDEX / INDEX PAR RÉFÉRENCE**

REF. / RÉF.	PAG. / PAG.	REF. / RÉF.	PAG. / PAG.	REF. / RÉF.	PAG. / PAG.	REF. / RÉF.	PAG. / PAG.
5990/5050/3	115	6982/3540/4	117	6990T40/4	120	CE942C35/2	104
5990/5050/4	115	6982/3545/3	117	6990T50/3	120	CE942R25/2	104
5990/5555/3	115	6982/3545/4	117	6990T50/4	120	CE942R30/2	104
5990/5555/4	115	6982/3555/3	117	6990T60/3	120	CE942R30/7	104
5990P2525/3	116	6982/3555/4	117	6990T60/4	120	CE942R35/2	104
5990P2525/4	116	6982/4040/3	117	942R/C/2	100	CE942R35/7	104
5990P2535/3	116	6982/4040/4	117	942R/R/2	100	CEA6000	144
5990P2535/4	116	6982/4545/3	117	942R/C/C/2	100	CEB6000	144
5990P2545/3	116	6982/4545/4	117	942R/C/R/2	100	CEL5000	144
5990P2545/4	116	6982P2525/3	118	943/2C	99	CELC125/1A	85
5990P25T25/3	116	6982P2525/4	118	943/2R	99	CELC125/1BA	85
5990P25T25/4	116	6982P2535/3	118	943/7C	99	CELC196/6A	32
5990P3030/3	116	6982P2535/4	118	943/7R	99	CELC196/6AD	32
5990P3030/4	116	6982P2545/3	118	943P/2C	99	CELC196T/6A	32
5990P3535/3	116	6982P2545/4	118	943P/2R	99	CELC196T/6AD	32
5990P3535/4	116	6982P3030/3	118	943P/7C	99	CELC56/1A	85
5990PM2525/3	116	6982P3030/4	118	943P/7R	99	CELC56/1BA	85
5990PM2525/4	116	6982PM2525/3	118	B5000	144	CM5005/55/6C	142
5990PM2535/3	116	6982PM2525/4	118	B5000/4	144	CM5005/55/6R	142
5990PM2535/4	116	6982PM2535/3	118	BAR5000/1R	144	CM5005/72/6C	142
5990PM2545/3	116	6982PM2535/4	118	BAR5000/1RE	144	CM5005/72/6R	142
5990PM2545/4	116	6982PM2545/3	118	BAR5000/6	144	CM5005/85/6C	142
5990PT2505/3	116	6982PM2545/4	118	BAR5000/6E	144	CM5005/85/6R	142
5990PT2505/4	116	6982T40/3	118	BT1296/1N	33	CM5006/55/6C	141
5990PT2525/3	116	6982T40/4	118	BT1296/1NM	33	CM5006/55/6R	141
5990PT2525/4	116	6982T50/3	118	BT1296/1PL	33	CM5006/72/6C	141
5990PT2535/3	116	6982T50/4	118	BT194/1N	33	CM5006/72/6R	141
5990PT2535/4	116	6982T60/3	118	BT194/1N	68	CM5006/85/6C	141
5990T40/3	116	6982T60/4	118	BT194/1NM	33	CM5006/85/6R	141
5990T40/4	116	6990/2525/3	119	BT194/1NM	68	CM5007/6C	141
5990T50/3	116	6990/2525/4	119	BT194/1PL	33	CM5007/6R	141
5990T50/4	116	6990/2530/3	119	BT194/1PL	68	CM5008/55/6C	141
5990T60/3	116	6990/2530/4	119	CE183/1N	29	CM5008/55/6R	141
5990T60/4	116	6990/2535/3	119	CE183/1NR	31	CM5008/72/6C	142
6000D/1N	133	6990/2535/4	119	CE184/1N	29	CM5008/72/6R	142
6000D/1NM	133	6990/2545/3	119	CE184/1NR	30	CM5008/85/6C	142
6000D/6	133	6990/2545/4	119	CE184/6	28	CM5008/85/6R	142
6000I/1N	133	6990/2555/3	119	CE196/1N	29	CM5009/6C	142
6000I/1NM	133	6990/2555/4	119	CE196/1NR	30	CM5009/6R	142
6000I/6	133	6990/3030/3	119	CE196/6	28	EMB196	33
62/50/2	98	6990/3030/4	119	CE196/6RU	31	ES1960	105
62/60/2	98	6990/3040/3	119	CE1960/2	104	ES1960/4	105
63R50/2	98	6990/3040/4	119	CE1960/6	104	ES1962	105
63R60/2	98	6990/3045/3	119	CE1960A/2	104	ES1962/4	105
63R70/2	98	6990/3045/4	119	CE1960A/6	104	ES1963	68
6964/3030/3	125	6990/3050/3	119	CE196R/6	28	ES1964	68
6964/3030/4	125	6990/3050/4	119	CE196R/6	67	ES1964	105
6964T30/3	125	6990/3535/3	119	CE1970T/2	103	ES1984	33
6964T30/4	125	6990/3535/4	119	CE1970T/6	103	ES1984	68
6968/3030/3	126	6990/3540/3	119	CE1983/0	65	KES4000	105
6968/3030/4	126	6990/3540/4	119	CE1983/6	65	M5000/1N	143
6968T30/3	126	6990/3545/3	119	CE1984/0	65	M5001/1N	143
6968T30/4	126	6990/3545/4	119	CE1984/6	65	M5002/1N	143
6982/2525/3	117	6990/3555/3	119	CE1985/2	103	M5003/1N	143
6982/2525/4	117	6990/3555/4	119	CE1985/6	103	MICRO	144
6982/2530/3	117	6990/4040/3	119	CE1990/0	65	P194/25/6	108
6982/2530/4	117	6990/4040/4	119	CE1991/0	66	P194/30/6	108
6982/2535/3	117	6990/4545/3	119	CE1994/6	66	P194/35/6	108
6982/2535/4	117	6990/4545/4	119	CE249R/2	104	P294/25/6	109
6982/2545/3	117	6990P2525/3	120	CE249R/6	104	P294/30/6	109
6982/2545/4	117	6990P2525/4	120	CE296S/1NR	30	P294/35/6	109
6982/2555/3	117	6990P2535/3	120	CE296S/6	28	TUF6000/1N	144
6982/2555/4	117	6990P2535/4	120	CE296S/6RU	31	TUF6000/1NE	144
6982/3030/3	117	6990P2545/3	120	CE2994S/6	66	TUF6000/6	144
6982/3030/4	117	6990P2545/4	120	CE4000/2	102	TUF6000/6E	144
6982/3040/3	117	6990P3030/3	120	CE4000/6	102	VENM1	140
6982/3040/4	117	6990P3030/4	120	CE4001/2	102	VENM2	140
6982/3045/3	117	6990PM2525/3	120	CE4001/6	102	VENM3	140
6982/3045/4	117	6990PM2525/4	120	CE4100/2	102	VENM554	140
6982/3050/3	117	6990PM2535/3	120	CE4100S/2	103		
6982/3050/4	117	6990PM2535/4	120	CE4100S/6	103		
6982/3535/3	117	6990PM2545/3	120	CE4101S/2	103		
6982/3535/4	117	6990PM2545/4	120	CE4101S/6	103		
6982/3540/3	117	6990T40/3	120	CE942C30/2	104		

ABBREVIATIONS OF LOCK AND CYLINDER FINISHES / ABBRÉVIATIONS DE FINITIONS DE SERRURES ET DE CYLINDRES

COD. COD.	FRONT PLATE TÊTIÈRE	CYLINDER CYLINDRE
/0	Nickel plated steel ( <b>HN</b> ) <i>Fer nickelé (HN)</i>	Nickel plated ( <b>CN</b> ) <i>Laiton nickelé (CN)</i>
/1	Painted steel ( <b>HE</b> ) <i>Fer émaillé (HE)</i>	Polished brass ( <b>LP</b> ) <i>Laiton poli (LP)</i>
/2	Brass plated steel ( <b>HL</b> ) <i>Fer laitoné (HL)</i>	Polished brass ( <b>LP</b> ) <i>Laiton poli (LP)</i>
/3	Polished brass ( <b>LP</b> ) <i>Laiton poli (LP)</i>	Polished brass ( <b>LP</b> ) <i>Laiton poli (LP)</i>
/4	Nickel plated ( <b>LN</b> ) <i>Laiton nickelé (LN)</i>	Nickel plated ( <b>CN</b> ) <i>Laiton nickelé (CN)</i>
/5	Nickel plated steel ( <b>HN</b> ) <i>Fer nickelé (HN)</i>	Polished brass ( <b>LP</b> ) <i>Laiton poli (LP)</i>
/6	Stainless steel ( <b>AI</b> ) <i>Acier inoxydable (AI)</i>	Nickel plated ( <b>CN</b> ) <i>Laiton nickelé (CN)</i>
/7	Satin nickel ( <b>NS</b> ) <i>Nickel satiné (NS)</i>	Nickel plated ( <b>CN</b> ) <i>Laiton nickelé (CN)</i>

ABBREVIATIONS OF PANIC DEVICE AND ESCUTCHEON FINISHES / ABBRÉVIATIONS DE FINITIONS D'ANTIPANIQUE ET DE PLAQUES

COD. COD.	FINISHES FINITIONS
/0CM	Matt chrome <i>Chrome mat</i>
/1N	Black <i>Noir</i>
/1NM	Matt nickel <i>Nickel mat</i>
/1PL	Silver <i>Argent</i>
/2OV	Old gold <i>Viel or</i>
/2BI	English bronze <i>Bronze anglais</i>



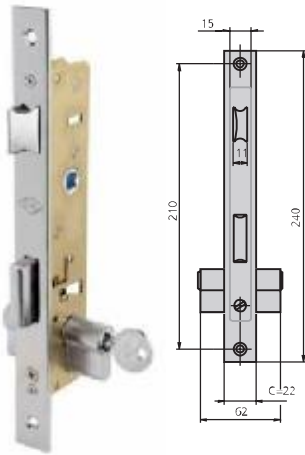


## EUROPEAN CHAMBER ALUMINIUM WORK LOCKS / SERRURES POUR MENUISERIE D'ALUMINIUM À CHAMBRE EUROPÉENNE

Sliding dead bolt, 85 mm between axes / <i>Pêne coulissant entre-axes 85</i>	8
• 184 Series / <i>Série 184</i>	8
Tilting dead bolt, 85 mm between axes / <i>Pêne basculant entre-axes 85</i>	11
• 196 Series / <i>Série 196</i>	11
Hook dead bolt, 85 mm between axes / <i>Pêne à crochet entre-axes 85</i>	13
• 197 Series / <i>Série 197</i>	13
Multipoint tilting dead bolt, 85 mm between axes / <i>Pêne basculant multipoint entre-axes 85</i>	14
• 296 Series / <i>Série 296</i>	14
Multipoint tilting dead bolt with special front plate, 85 mm between axes / <i>Tête spéciale multipoint pêne basculant entre-axes 85</i>	16
• 496 Series / <i>Série 496</i>	16
• 596 Series / <i>Série 596</i>	18
Sliding dead bolt, 92 mm between axes / <i>Pêne coulissant entre-axes 92</i>	20
• 192 Series / <i>Série 192</i>	20
Tilting dead bolt, 92 mm between axes / <i>Pêne basculant entre-axes 92</i>	21
• 194 Series / <i>Série 194</i>	21
Multipoint tilting dead bolt, 92 mm between axes / <i>Pêne basculant multipoint entre-axes 92</i>	23
• 294 Series / <i>Série 294</i>	23
Multipoint tilting dead bolt with special front plate, 92 mm between axes / <i>Tête spéciale multipoint pêne basculant entre-axes 92</i>	25
• 494 Series / <i>Série 494</i>	25
Sliding dead bolt, 70 mm between axes / <i>Pêne coulissant entre-axes 70</i>	27
• 183 Series / <i>Série 183</i>	27
Accessories / <i>Accessoires</i>	28
• Strike plates / <i>Gâche</i>	28
• Electric strike plates / <i>Gâches électriques</i>	32
• Escutcheons / <i>Plaques</i>	33
• Other / <i>Autres</i>	33

**SLIDING DEAD BOLT, 85 mm BETWEEN AXES / PÊNE COULISSANT ENTRE-AXES 85 mm**

**184 SERIES / SÉRIE 184**



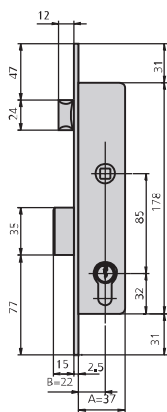
**CHARACTERISTICS / CARACTÉRISTIQUES**

- 22 mm front plate  
*Têtière de 22 mm*
- 11 mm reversible latch bolt  
*Demi-tour réversible de 11 mm*
- 15 mm bichromate treated sides  
*Boîtier bichromé de 15 mm*
- 8 mm square ruler  
*Carré de 8 mm*
- 2 nylon escutcheons ref. ES1984  
*2 plaques en nylon réf. ES1984*
- 2 nylon front plate ends ref. EMB196  
*2 bornes de têtière en nylon réf. EMB196*
- Cylinder set screw  
*Vis de fixation de cylindre*

**OPTIONAL ACCESSORIES / ACCESSOIRES OPTIONNELS**

- Strike plates for given locks  
*Gâches selon serrure*  
*(See below / voir ci-dessous)*
- Complete range of cylinders  
*Gamme complète de cylindres*  
*(See page / voir page 111-120)*
- Security escutcheon BT194  
*Plaque de sécurité BT194*  
*(See page / voir page 33)*

DESCRIPTION	REF. RÉF.	MEASUREMENTS DIMENSIONS		CAM CAME	FINISH FINITIONS		UNITS PIÈCES			
		B	A		FRONT PLATE TÊTIÈRE	CYLINDER CYLINDRE				



- Latch bolt and dead bolt  
*Demi-tour et pêne*
- Long cam 5982/2525/4 or short cam 5990/2525/4 cylinders  
*Cylindres à came longue 5982/2525/4 ou à came courte 5990/2525/4*

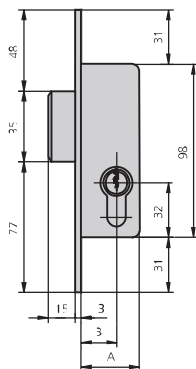
**Strike plate options  
Options de gâche**

- Fixed ref. CE184/1N or fixed SS ref. CE184/6  
*Fixe réf. CE184/1N ou fixe réf. CE184/6*
- Adjustable ref. CE184/1NR or adjustable SS CE196/6RU  
*Réglable réf CE184/1NR ou réglable inox CE196/6RU*

184/23/0	20	33	13,25	HN	CN	1	20		
184/23/6	20	33	13,25	AI	CN	1	20		
184/25/0	22	37	15	HN	CN	1	20		
184/25/6	22	37	15	AI	CN	1	20		
184/28/0	25	38	13,25	HN	CN	1	20		
184/28/6	25	38	13,25	AI	CN	1	20		
184/30/0	27	42	15	HN	CN	1	20		
184/30/6	27	42	15	AI	CN	1	20		
184/33/0	30	43	13,25	HN	CN	1	20		
184/33/6	30	43	13,25	AI	CN	1	20		
184/35/0	32	47	15	HN	CN	1	20		
184/35/6	32	47	15	AI	CN	1	20		

**Electric strike plates option  
Option gâches électriques**

- CELC196/6A or / ou CELC196/6AD



- Dead bolt only  
*Pêne uniquement*
- Long cam 5982/2525/4 or short cam 5990/2525/4 cylinders  
*Cylindres à came longue 5982/2525/4 ou à came courte 5990/2525/4*

**Strike plate options  
Options de gâche**

- Fixed SS CE296S/6  
*Fixe inox CE296S/6*
- Adjustable CE296S/1NR or adjustable SS CE296S/6RU  
*Réglable CE296S/1NR ou réglable inox CE296S/6RU*

184A23/0	20	33	13,25	HN	CN	1	30		
184A23/6	20	33	13,25	AI	CN	1	30		
184A25/0	22	37	15	HN	CN	1	30		
184A25/6	22	37	15	AI	CN	1	30		
184A28/0	25	38	13,25	HN	CN	1	30		
184A28/6	25	38	13,25	AI	CN	1	30		
184A30/0	27	42	15	HN	CN	1	30		
184A30/6	27	42	15	AI	CN	1	30		
184A33/0	30	43	13,25	HN	CN	1	30		
184A33/6	30	43	13,25	AI	CN	1	30		
184A35/0	32	47	15	HN	CN	1	30		
184A35/6	32	47	15	AI	CN	1	30		

**SLIDING DEAD BOLT, 85 mm BETWEEN AXES / PÊNE COULISSANT ENTRE-AXES 85 mm**
**184 SERIES / SÉRIE 184**



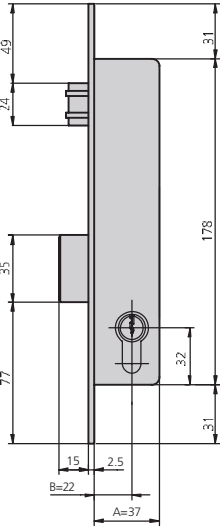
DESCRIPTION	REF. RÉF.	MEASUREMENTS DIMENSIONS		CAM CAME	FINISH FINITIONS		UNITS PIÈCES			
		B	A		FRONT PLATE TÊTIÈRE	CYLINDER CYLINDRE				
<ul style="list-style-type: none"> <li>• With dead bolt <i>Avec condamnation</i></li> </ul> <b>Strike plate options</b> <i>Options de gâche</i> <ul style="list-style-type: none"> <li>• Fixed ref. CE184/1N or fixed SS ref. CE184/6 <i>Fixe réf. CE184/1N ou fixe réf. CE184/6</i></li> <li>• Adjustable ref. CE184/1NR or adjustable SS CE196/6RU <i>Réglable réf. CE184/1NR ou réglable inox CE196/6RU</i></li> </ul>	184C23/6	20	33		AI	2	40			
	184C25/6	22	37		AI	2	40			
	184C28/6	25	38		AI	2	40			
	184C30/6	27	42		AI	2	40			
	184C33/6	30	43		AI	2	40			
	184C35/6	32	47		AI	2	40			

<ul style="list-style-type: none"> <li>• Latch bolt only and no cylinder <i>Demi-tour uniquement et sans cylindre</i></li> </ul> <b>Strike plate options</b> <i>Options de gâche</i> <ul style="list-style-type: none"> <li>• Ref. CE196R/6</li> </ul>	184R23/6	20	33		AI	2	60		
	184R25/6	22	37		AI	2	60		
	184R28/6	25	38		AI	2	60		
	184R30/6	27	42		AI	2	60		
	184R33/6	30	43		AI	2	60		
	184R35/6	32	47		AI	2	60		

<ul style="list-style-type: none"> <li>• Roller only <i>Rouleau uniquement</i></li> </ul> <b>Strike plate options</b> <i>Options de gâche</i> <ul style="list-style-type: none"> <li>• Ref. CE196R/6</li> </ul>	184RV/6		33		AI	2	60		
--	---------	--	----	--	----	---	----	--	--

**SLIDING DEAD BOLT, 85 mm BETWEEN AXES / PÊNE COULISSANT ENTRE-AXES 85 mm**

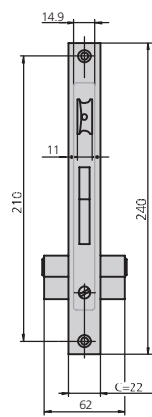
**184 SERIES / SÉRIE 184**

DESCRIPTION	REF. RÉF.	MEASUREMENTS DIMENSIONS		CAM CAME	FINISH FINITIONS		UNITS PIÈCES			
		B	A		FRONT PLATE TÊTIÈRE	CYLINDER CYLINDRE				
 <ul style="list-style-type: none"> <li>Adjustable roller and dead bolt <i>Rouleau réglable et pêne</i></li> <li>Long cam 5982/2525/4 or short cam 5990/2525/4 cylinders <i>Cylindres à came longue 5982/2525/4 ou à came courte 5990/2525/4</i></li> </ul> <p><b>Strike plate options</b> <i>Options de gâche</i></p> <ul style="list-style-type: none"> <li>Fixed ref. CE184/1N or fixed SS ref. CE184/6 <i>Fixe réf CE184/1N ou fixe inox réf CE184/6</i></li> <li>Adjustable ref. CE184/1NR or adjustable SS CE196/6RU <i>Réglable réf. CE184/1NR ou réglable inox CE196/6RU</i></li> </ul>	184V23/0	20	33	13,25	HN	CN	1	20		
	184V23/6	20	33	13,25	AI	CN	1	20		
	184V25/0	22	37	15	HN	CN	1	20		
	184V25/6	22	37	15	AI	CN	1	20		
	184V28/0	25	38	13,25	HN	CN	1	20		
	184V28/6	25	38	13,25	AI	CN	1	20		
	184V30/0	27	42	15	HN	CN	1	20		
	184V30/6	27	42	15	AI	CN	1	20		
	184V33/0	30	43	13,25	HN	CN	1	20		
	184V33/6	30	43	13,25	AI	CN	1	20		
	184V35/0	32	47	15	HN	CN	1	20		
	184V35/6	32	47	15	AI	CN	1	20		



**TILTING DEAD BOLT, 85 mm BETWEEN AXES / PÊNE BASCULANT ENTRE-AXES 85 mm**

**196 SERIES / SÉRIE 196**



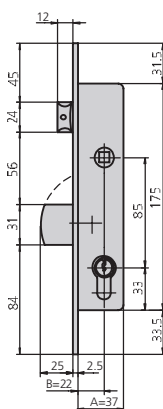
**CHARACTERISTICS / CARACTÉRISTIQUES**

- 22mm SS front plate  
*Têtière inox de 22mm*
- 11 mm reversible latch bolt  
*Demi-tour réversible de 11 mm*
- Adjustable latch bolt, except in 25 mm entrance / *Demi-tour réglable sauf en entrée 25mm*
- 15 mm bichromate treated sides  
*Boîtier bichromé de 15 mm*
- 8 mm square ruler / *Carré de 8 mm*
- 2 nylon escutcheons ref. ES1984  
*2 plaques en nylon réf. ES1984*
- 2 nylon front plate ends ref. EMB196  
*2 bornes de têtière en nylon réf. EMB196*
- Cylinder set screw / *Vis de fixation de cylindre*

**OPTIONAL ACCESSORIES / ACCESSOIRES OPTIONELS**

- Strike plates for given locks  
*Gâches selon serrure*  
(See below / voir ci-dessous)
- Complete range of cylinders  
*Gamme complète de cylindres*  
(See page / voir page 111-120)
- Security escutcheon BT194  
*Plaque de sécurité BT194*  
(See page / voir page 33)

DESCRIPTION	REF. RÉF.	MEASUREMENTS DIMENSIONS		CAM CAME	FINISH FINITIONS		UNITS PIÈCES			
		B	A		FRONT PLATE TÊTIÈRE	CYLINDER CYLINDRE				



- Latch bolt and dead bolt  
*Demi-tour et pêne*
- Cylinder 5982/2525/4  
except in ref. 196/33/6 with  
5990/2525/4  
*Cylindre 5982/2525/4 sauf en  
réf. 196/33/6 avec 5990/2525/4*

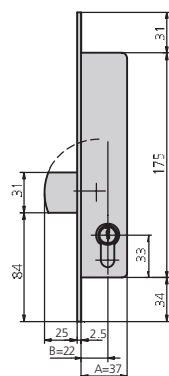
196/25/6	22	37	15	AI	CN	1	20		
196/30/6	27	42	15	AI	CN	1	20		
196/33/6	30	43	13,25	AI	CN	1	20		
196/35/6	32	47	15	AI	CN	1	20		

**Optional strike plates  
Gâche optionnels**

- Fixed ref. CE196/1N or fixed  
SS CE196/6  
*Fixe réf CE196 ou fixe inox  
CE196/6*
- Adjustable CE196/1NR or  
adjustable SS CE196/6RU  
*Réglable CE196/1NR ou  
réglable inox CE196/6RU*

**Electric strike plate option  
Option gâche électrique**

- CELC196/6A or I ou  
CELC196/6AD



- Dead bolt only  
*Pêne uniquement*
- Cylinder 5982/2525/4  
except in ref. 196A33/6 with  
5990/2525/4  
*Cylindre 5982/2525/4 sauf en  
réf. 196A33/6 avec 5990/2525/4*

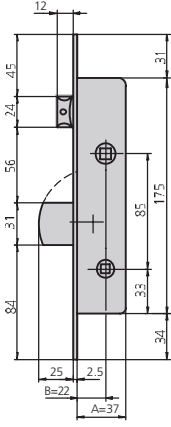
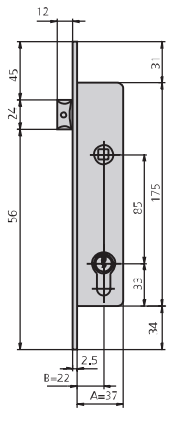
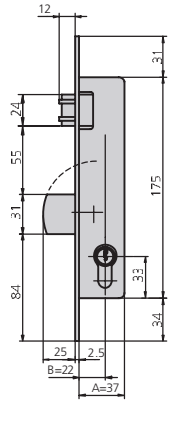
196A25/6	22	37	15	AI	CN	1	20		
196A30/6	27	42	15	AI	CN	1	20		
196A33/6	30	43	13,25	AI	CN	1	20		
196A35/6	32	47	15	AI	CN	1	20		

**Strike plate options  
Options de gâche**

- Fixed SS CE296S/6  
*Fixe inox CE296S/6*
- Adjustable CE296S/1NR or  
adjustable SS CE296S/6RU  
*Réglable CE296S/1NR ou  
réglable inox CE296S/6RU*

**TILTING DEAD BOLT, 85 mm BETWEEN AXES / PÊNE BASCULANT ENTRE-AXES 85 mm**

**196 SERIES / SÉRIE 196**

DESCRIPTION	REF. RÉF.	MEASUREMENTS DIMENSIONS		CAM CAME	FINISH FINITIONS	UNITS PIÈCES			
		B	A			FRONT PLATE TÊTIÈRE	CYLINDER CYLINDRE		
 <ul style="list-style-type: none"> <li>• With dead bolt and no cylinder <i>Avec condamnation et sans cylindre</i></li> </ul> <p><b>Strike plate options</b> <i>Options de gâche</i></p> <ul style="list-style-type: none"> <li>• Fixed ref. CE196/1N or fixed SS CE196/6 <i>Fixe réf. CE196/1N ou fixe inox CE196/6</i></li> <li>• Adjustable CE196/1NR or adjustable SS CE196/6RU <i>Réglable CE196/1NR ou réglable inox CE196/6RU</i></li> </ul>	196C25/6	22	37		AI	2	40		
	196C30/6	27	42		AI	2	40		
	196C33/6	30	43		AI	2	40		
	196C35/6	32	47		AI	2	40		
 <ul style="list-style-type: none"> <li>• Latch bolt only and single cylinder <i>Demi-tour uniquement et demi cylindre</i></li> <li>• Cylinder 5982T40/4 <i>Cylindre 5982T40/4</i></li> </ul> <p><b>Electric strike plate option</b> <i>Option gâche électrique</i></p> <ul style="list-style-type: none"> <li>• CELC196T/6A or I ou CELC196T/6AD</li> </ul>	196T25/6	22	37	15	AI	CN	1	20	
	196T30/6	27	42	15	AI	CN	1	20	
	196T33/6	30	43	15	AI	CN	1	20	
	196T35/6	32	47	15	AI	CN	1	20	
 <ul style="list-style-type: none"> <li>• Adjustable roller and dead bolt <i>Rouleau réglable et pêne</i></li> <li>• Cylinder 5982/2525/4 except in ref. 196V33/6 with 5990/2525/4 <i>Cylindre 5982/2525/4 sauf en réf. 196V33/6 avec 5990/2525/4</i></li> </ul> <p><b>Strike plate options</b> <i>Options de gâche</i></p> <ul style="list-style-type: none"> <li>• Fixed ref. CE196/1N or fixed SS CE196/6 <i>Fixe réf. CE196/1N ou fixe inox CE196/6</i></li> <li>• Adjustable CE196/1NR or adjustable SS CE196/6RU <i>Réglable CE196/1NR ou réglable inox CE196/6RU</i></li> </ul>	196V25/6	22	37	15	AI	CN	1	20	
	196V30/6	27	42	15	AI	CN	1	20	
	196V33/6	30	43	13,25	AI	CN	1	20	
	196V35/6	32	47	15	AI	CN	1	20	





**HOOK DEAD BOLT, 85 mm BETWEEN AXES / PÊNE À CROCHET ENTRE-AXES 85 mm**

**197 SERIES / SÉRIE 197**

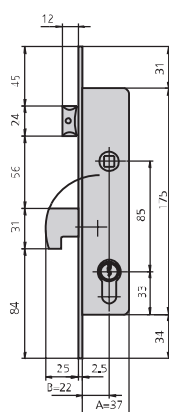
**CHARACTERISTICS / CARACTÉRISTIQUES**

- 22mm SS front plate  
*Têtière inox de 22mm*
- 11 mm reversible latch bolt  
*Demi-tour réversible de 11 mm*
- Picaporte regulable excepto en entrada 25mm  
*Demi-tour réglable sauf en entrée 25mm*
- 15 mm bichromate treated sides  
*Boîtier bichromé de 15 mm*
- 8 mm square ruler / Carré de 8 mm

**OPTIONAL ACCESSORIES / ACCESSOIRES OPTIONELS**

- Strike plates for given locks  
*Gâches selon serrure*  
(See below / voir ci-dessous)
- Complete range of cylinders  
*Gamme complète de cylindres*  
(See page / voir page 111-120)
- Security escutcheon BTI296  
*Plaque de sécurité BTI296*  
(See page / voir page 33)

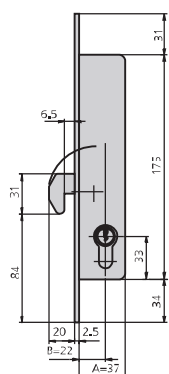
DESCRIPTION	REF. RÉF.	MEASUREMENTS DIMENSIONS		CAM CAME	FINISH FINITIONS	UNITS PIÈCES			
		B	A			FRONT PLATE TÊTIÈRE	CYLINDER CYLINDRE		



- Latch bolt and hook dead bolt  
*Demi-tour et pêne crochet*
- Cylinder 5982/2525/4 except in ref. 197/33/6 with 5990/2525/4  
*Cylindre 5982/2525/4 sauf en réf. 197/33/6 avec 5990/2525/4*

- Strike plate options**  
*Options de gâche*
- Fixed ref. CE196/1N or fixed SS CE196/6  
*Fixe réf CE196/1N ou fixe inox CE196/6*
  - Adjustable CE196/1NR or adjustable SS CE196/6RU  
*Réglable CE196/1NR ou réglable inox CE196/6RU*

197/25/6	22	37	15	AI	CN	1	20		
197/30/6	27	42	15	AI	CN	1	20		
197/33/6	30	43	13,25	AI	CN	1	20		
197/35/6	32	47	15	AI	CN	1	20		



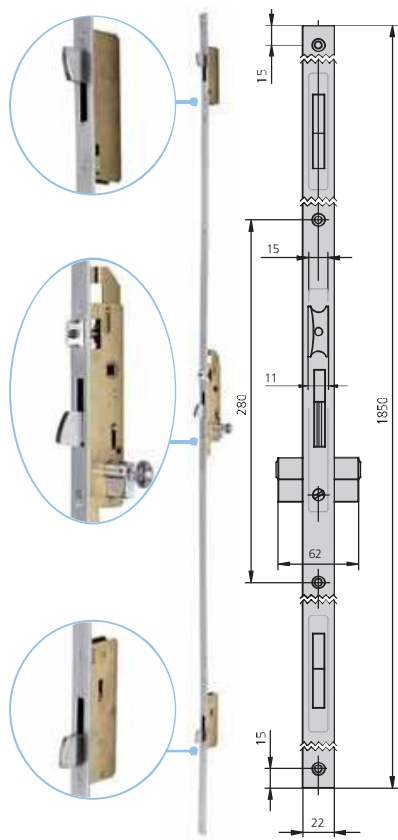
- Hook dead bolt only  
*Pêne crochet uniquement*
- Cylinder 5982/2525/4 except in ref. 197K33/6 with 5990/2525/4  
*Cylindre 5982/2525/4 sauf en réf 197K33/6 avec 5990/2525/4*

- Strike plate options**  
*Options de gâche*
- Fixed SS CE296S/6  
*Fixe inox CE296S/6*
  - Adjustable CE296S/1NR or adjustable SS CE296S/6RU  
*Réglable CE296S/1NR ou réglable inox CE296S/6RU*

197K25/6	22	37	15	AI	CN	1	20		
197K30/6	27	42	15	AI	CN	1	20		
197K33/6	30	43	13,25	AI	CN	1	20		
197K35/6	32	47	15	AI	CN	1	20		

**MULTIPOINT TILTING DEAD BOLT, 85 mm BETWEEN AXES /  
PÈNE BASCULANT MULTIPOINT ENTRE-AXES 85 mm**

**296 SERIES / SÉRIE 296**



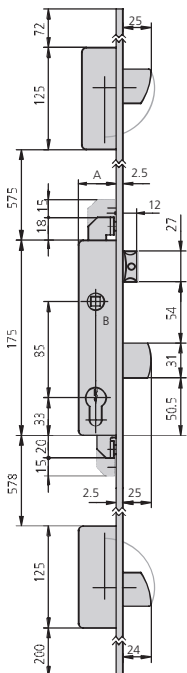
**CHARACTERISTICS /  
CARACTÉRISTIQUES**

- 1850x22mm SS front plate  
*Têtière inox de 1850x22mm*
- 11 mm reversible latch bolt  
*Demi-tour réversible de 11 mm*
- Adjustable latch bolt, except in 25mm entrance  
*Demi-tour réglable sauf en entrée 25mm*
- 15mm bichromate treated sides  
*Boîtier bichromé de 15 mm*
- 8 mm square ruler  
*Carré de 8 mm*
- Passing security escutcheon ref. BT1296/1N  
*Plaque de sécurité passante réf. BT1296/1N*
- Strike plate series for given locks  
*Gâche de série selon serrure*
- 2 nylon front plate ends ref. EMB196  
*2 bornes de têtière en nylon réf EMB196*
- Cylinder set screw  
*Vis de fixation de cylindre*

**OPTIONAL ACCESSORIES /  
ACCESSOIRES OPTIONNELS**

- Other strike plates for given locks  
*Autres gâches selon serrure (See below / voir ci-dessous)*
- Complete range of cylinders  
*Gamme complète de cylindres (See page / voir page 117-120)*

DESCRIPTION	REF. RÉF.	MEASUREMENTS DIMENSIONS		CAM CAME	FINISH FINITIONS		UNITS PIÈCES	
		B	A		FRONT PLATE TÊTIÈRE	CYLINDER CYLINDRE		



- Latch bolt and dead bolt  
*Demi-tour et pène*
- Cylinder 6982/2535/4 except in ref. 296/33/6 with 6990/2535/4  
*Cylindre 6982/2535/4 sauf en réf. 296/33/6 avec 6990/2535/4*

296/25/6	22	37	15	AI	CN	1		
296/30/6	27	42	15	AI	CN	1		
296/33/6	30	43	13,25	AI	CN	1		
296/35/6	32	47	15	AI	CN	1		

**Strike plate series  
Gâche de série**

- Central fixed SS ref. CE196/6  
*Central fixe inox réf. CE196/6*
- 2 high/low fixed SS units ref. CE296S/6  
*2 unités haut et bas fixe inox réf CE296S/6*

**Other strike plate options  
Autres options de gâche**

- Central fixed ref. CE196/1N  
*Central fixe réf CE196/1N*
- Central adjustable ref. CE196/1NR or SS CE196/6RU  
*Central réglable réf. CE196/1NR ou inox CE196/6RU*
- High/low adjustable strike plate ref. CE296S/1NR or SS CE296S/6RU  
*Gâche haut et bas réglable réf CE296S/1NR ou inox CE296S/6RU*

**Electric strike plate option  
Option gâche électrique**

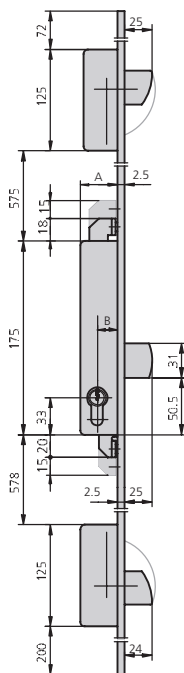
- CELC196/6A or / ou CELC196/6AD



**MULTIPOINT TILTING DEAD BOLT, 85 mm BETWEEN AXES /  
PÈNE BASCULANT MULTIPOINT ENTRE-AXES 85 mm**

**296 SERIES / SÉRIE 296**

DESCRIPTION	REF. RÉF.	MEASUREMENTS DIMENSIONS		CAM CAME	FINISH FINITIONS		UNITS PIÈCES		
		B	A		FRONT PLATE TÊTIÈRE	CYLINDER CYLINDRE			



- Dead bolt only  
*Pêne uniquement*
- Cylinder 6982/2535/4 except in ref. 296A33/6 with 6990/2535/4  
*Cylindre 6982/2535/4 sauf en réf. 296A33/6 avec 6990/2535/4*

296A25/6	22	37	15	AI	CN	1		
296A30/6	27	42	15	AI	CN	1		
296A33/6	30	43	13,25	AI	CN	1		
296A35/6	32	47	15	AI	CN	1		

**Strike plate series**

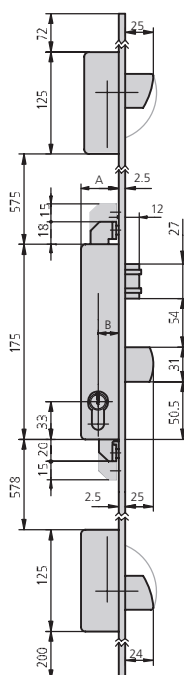
**Gâche de série**

- 3 fixed SS units ref. CE296S/6  
*3 unités fixe inox réf CE296S/6*

**Other strike plate options**

**Autres options de gâche**

- Adjustable ref. CE296S/1NR or SS CE296S/6RU  
*Réglable réf. CE296S/1NR ou inox CE296S/6RU*



- Adjustable roller and dead bolt  
*Rouleau réglable et pêne*
- Cylinder 6982/2535/4 except in ref. 296V33/6 with 6990/2535/4  
*Cylindre 6982/2535/4 sauf en réf. 296V33/6 avec 6990/2535/4*

296V25/6	22	37	15	AI	CN	1		
296V30/6	27	42	15	AI	CN	1		
296V33/6	30	43	13,25	AI	CN	1		
296V35/6	32	47	15	AI	CN	1		

**Strike plate series**

**Gâche de série**

- Central fixed SS ref. CE196/6  
*Central fixe inox réf. CE196/6*
- 2 high/low fixed SS units ref. CE296S/6  
*2 unités haut et bas fixe inox réf CE296S/6*

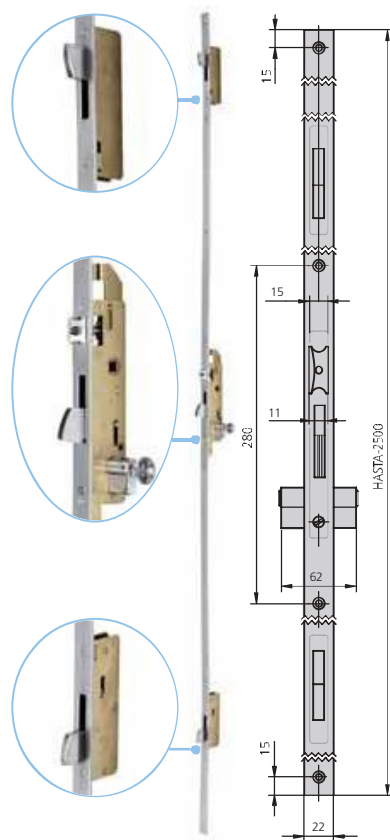
**Other strike plate options**

**Autres options de gâche**

- Central fixed ref. CE196/1N  
*Central fixe réf. CE196/1N*
- Central adjustable ref. CE196/1NR or SS CE196/6RU  
*Central réglable réf. CE196/1NR ou inox CE196/6RU*
- High/low adjustable strike plate ref. CE296S/1NR or SS CE296S/6RU  
*Gâche haut et bas réglable réf. CE296S/1NR ou inox CE296S/6RU*

**MULTIPOINT TILTING DEAD BOLT WITH SPECIAL FRONT PLATE, 85 mm BETWEEN AXES /  
TÊTIÈRE SPÉCIALE MULTIPOINT PÊNE BASCULANT ENTRE-AXES 85 mm**

**496 SERIES / SÉRIE 496**



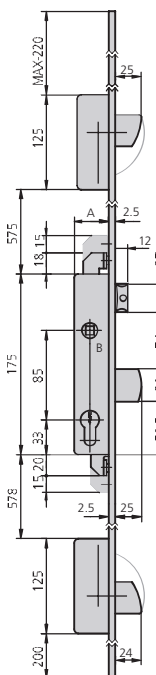
**CHARACTERISTICS /  
CARACTÉRISTIQUES**

- 22mm wide SS front plate, up to 2,500mm high  
*Têtière inox de 22mm de large et jusqu'à 2.500m de haut*
- 11 mm reversible latch bolt  
*Demi-tour réversible de 11 mm*
- Adjustable latch bolt, except in 25mm entrance  
*Demi-tour réglable sauf en entrée 25mm*
- 15 mm bichromate treated sides  
*Boîtier bichromé de 15 mm*
- 8 mm square ruler  
*Carré de 8 mm*
- Passing security escutcheon ref. BT1296/1N  
*Plaque de sécurité passante réf BT1296/1N*
- Strike plate series for given locks  
*Gâches de série selon serrure*
- 2 nylon front plate ends ref. EMB196  
*2 bornes de têtière en nylon réf. EMB196*
- Cylinder set screw  
*Vis de fixation de cylindre*

**OPTIONAL ACCESSORIES /  
ACCESSOIRES OPTIONELS**

- Other strike plates for given locks  
*Autres gâches selon serrure (See below / voir ci-dessous)*
- Complete range of cylinders  
*Gamme complète de cylindres (See page / voir page 117-120)*

DESCRIPTION	REF. RÉF.	MEASUREMENTS DIMENSIONS		CAM CAME	FINISH FINITIONS	UNITS PIÈCES	FRONT PLATE TÊTIÈRE		CYLINDER CYLINDRE
		B	A						



- Latch bolt and dead bolt  
*Demi-tour et pêne*
- Cylinder 6982/2535/4 except in ref. 496/33/6 with 6990/2535/4  
*Cylindre 6982/2535/4 sauf en réf. 496/33/6 avec 6990/2535/4*

496/25/6	22	37	15	AI	CN	1		
496/30/6	27	42	15	AI	CN	1		
496/33/6	30	43	13,25	AI	CN	1		
496/35/6	32	47	15	AI	CN	1		

**Strike plate series**

- Central fixed SS ref. CE196/6  
*Central fixe inox réf. CE196/6*
- 2 high/low fixed SS units ref. CE296S/6  
*2 unités haut et bas fixe inox réf CE296S/6*

**Other strike plate options**

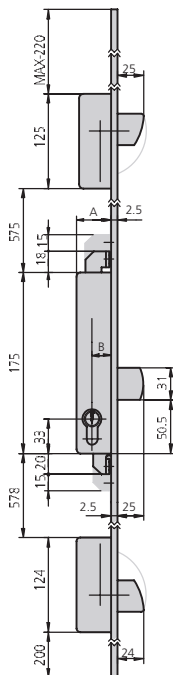
- Central fixed ref. CE196/1N  
*Central fixe réf. CE196/1N*
- Central adjustable ref. CE196/1NR or SS CE196/6RU  
*Central réglable réf. CE196/1NR ou inox CE196/6RU*
- High/low adjustable strike plate ref. CE296S/1NR or SS CE296S/6RU  
*Gâche haut et bas réglable réf. CE296S/1NR ou inox CE296S/6RU*

**Electric strike plate option**

- CELC196/6A or I ou CELC196/6AD

**MULTIPOINT TILTING DEAD BOLT WITH SPECIAL FRONT PLATE, 85 mm BETWEEN AXES /  
 TÊTIÈRE SPÉCIALE MULTIPOINT PÈNE BASCULANT ENTRE-AXES 85 mm**
**496 SERIES / SÉRIE 496**

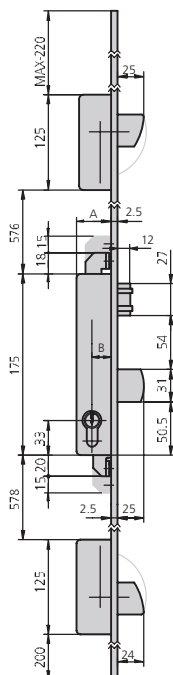
DESCRIPTION	REF. RÉF.	MEASUREMENTS DIMENSIONS		CAM CAME	FINISH FINITIONS		UNITS PIÈCES			
		B	A		FRONT PLATE TÊTIÈRE	CYLINDER CYLINDRE				
• Dead bolt only <i>Pêne uniquement</i>	496A25/6	22	37	15	AI	CN	1			
• Cylinder 6982/2535/4 except in ref. 496A33/6 with 6990/2535/4	496A30/6	27	42	15	AI	CN	1			
<i>Cylindre 6982/2535/4 sauf en réf. 496A33/6 avec 6990/2535/4</i>	496A33/6	30	43	13,25	AI	CN	1			
	496A35/6	32	47	15	AI	CN	1			


**Strike plate series**
**Gâche de série**

- 3 fixed SS units ref. CE296S/6  
*3 unités fixe inox réf CE296S/6*

**Other strike plate options**
**Autres options de gâche**

- Adjustable ref. CE296S/1NR or SS  
CE296S/6RU  
*Réglable réf. CE296S/1NR ou inox  
CE296S/6RU*



- Adjustable roller and dead bolt  
*Rouleau réglable et pêne*

- Cylinder 6982/2535/4 except in  
ref. 496V33/6 with 6990/2535/4
- Cylindre 6982/2535/4 sauf en réf.  
496V33/6 avec 6990/2535/4*

**Strike plate series**
**Gâche de série**

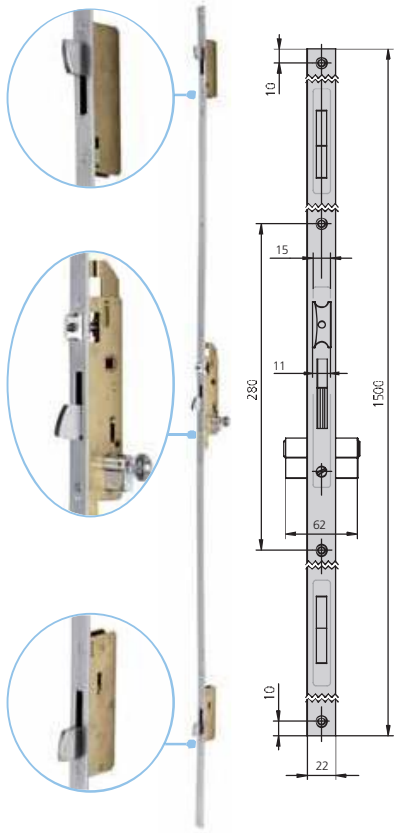
- Central fixed SS ref. CE196/6  
*Central fixe inox réf CE196/6*
- 2 high/low fixed SS units ref.  
CE296S/6  
*2 unités haut et bas fixe inox réf  
CE296S/6*

**Other strike plate options**
**Autres options de gâche**

- Central fixed ref. CE196/1N  
*Central fixe réf. CE196/1N*
- Central adjustable ref.  
CE196/1NR or SS CE196/6RU  
*Central réglable réf. CE196/1NR  
ou inox CE196/6RU*
- High/low adjustable strike  
plate ref. CE296S/1NR or SS  
CE296S/6RU  
*Gâche haut et bas réglable réf  
CE296S/1NR ou inox CE296S/6RU*

**MULTIPOINT TILTING DEAD BOLT WITH SPECIAL FRONT PLATE, 85 mm BETWEEN AXES /  
TÊTIÈRE SPÉCIALE MULTIPOINT PÊNE BASCULANT ENTRE-AXES 85 mm**

**596 SERIES / SÉRIE 596**



**CHARACTERISTICS /  
CARACTÉRISTIQUES**

- Multipoint lock for two panel doors with bolts on the passive panel  
*Serrure multipoints pour portes à double feuille avec verrous dans la feuille passive*
- 22x1500mm SS front plate  
*Têtière inox de 22x1500mm*
- 11 mm reversible latch bolt  
*Demi-tour réversible de 11 mm*
- Adjustable latch bolt, except in 25 mm entrance  
*Demi-tour réglable sauf en entrée 25mm*
- 15 mm bichromate treated sides  
*Boîtier bichromé de 15 mm*
- 8 mm square ruler  
*Carré de 8 mm*
- Passing security escutcheon ref. BT1296/1N  
*Plaque de sécurité passante réf. BT1296/1N*
- Strike plate series for given locks  
*Gâches de série selon serrure*
- 2 nylon front plate ends ref. EMB196  
*2 bornes de têtière en nylon réf. EMB196*
- Cylinder set screw  
*Vis de fixation de cylindre*

**OPTIONAL ACCESSORIES /  
ACCESSOIRES OPTIONELS**

- Other strike plates for given locks  
*Autres gâches selon serrure (See below / voir ci-dessous)*
- Complete range of cylinders  
*Gamme complète de cylindres (See page / voir page 117-120)*



DESCRIPTION	REF. RÉF.	MEASUREMENTS DIMENSIONS		CAM CAME	FINISH FINITIONS		UNITS PIÈCES	
		B	A		FRONT PLATE TÊTIÈRE	CYLINDER CYLINDRE		
<ul style="list-style-type: none"> <li>• Latch bolt and dead bolt <i>Demi-tour et pêne</i></li> <li>• Cylinder 6982/2535/4 except in ref. 596/33/6 with 6990/2535/4 <i>Cylindre 6982/2535/4 sauf en réf. 596/33/6 avec 6990/2535/4</i></li> </ul>	596/25/6	22	37	15	AI	CN	1	
	596/30/6	27	42	15	AI	CN	1	
	596/33/6	30	43	13,25	AI	CN	1	
	596/35/6	32	47	15	AI	CN	1	
<p><b>Strike plate series</b> <i>Gâche de série</i></p> <ul style="list-style-type: none"> <li>• Central fixed SS ref. CE196/6 <i>Central fixe inox réf. CE196/6</i></li> <li>• 2 high/low fixed SS units ref. CE296S/6 <i>2 unités haut et bas fixe inox réf CE296S/6</i></li> </ul>								
<p><b>Other strike plate options</b> <i>Autres options de gâche</i></p> <ul style="list-style-type: none"> <li>• Central fixed ref. CE196/1N <i>Central fixe réf CE196/1N</i></li> <li>• Central adjustable ref. CE196/1NR or SS CE196/6RU <i>Central réglable réf. CE196/1NR ou inox CE196/6RU</i></li> <li>• High/low adjustable strike plate ref. CE296S/1NR or SS CE296S/6RU <i>Gâche haut et bas réglable réf. CE296S/1NR ou inox CE296S/6RU</i></li> </ul>								
<p><b>Electric strike plate option</b> <i>Option gâche électrique</i></p> <ul style="list-style-type: none"> <li>• CELC196/6A or I ou CELC196/6AD</li> </ul>								

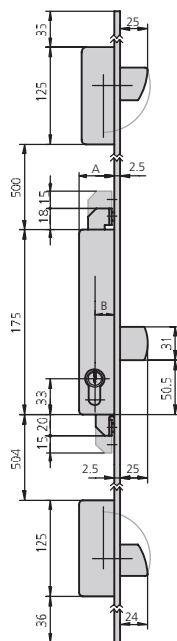




**MULTIPOINT TILTING DEAD BOLT WITH SPECIAL FRONT PLATE, 85 mm BETWEEN AXES /  
TÊTIÈRE SPÉCIALE MULTIPOINT PÊNE BASCULANT ENTRE-AXES 85 mm**

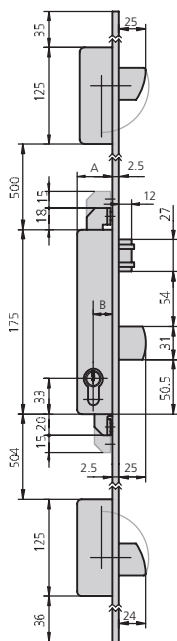
**596 SERIES / SÉRIE 596**

DESCRIPTION	REF. RÉF.	MEASUREMENTS DIMENSIONS		CAM CAME	FINISH FINITIONS		UNITS PIÈCES	
		B	A		FRONT PLATE TÊTIÈRE	CYLINDER CYLINDRE		
• Dead bolt only <i>Pêne uniquement</i>	596A25/6	22	37	15	AI	CN	1	
• Cylinder 6982/2535/4 except in ref. 596A33/6 with 6990/2535/4	596A30/6	27	42	15	AI	CN	1	
<i>Cylindre 6982/2535/4 sauf en réf. 596A33/6 avec 6990/2535/4</i>	596A33/6	30	43	13,25	AI	CN	1	
	596A35/6	32	47	15	AI	CN	1	



**Strike plate series  
Gâche de série**

- 3 fixed SS units ref. CE296S/6  
*3 unités fixe inox réf. CE296S/6*
- Other strike plate options  
*Autres options de gâche*
- Adjustable ref. CE296S/1NR or  
SS CE296S/6RU  
*Réglable réf. CE296S/1NR ou inox  
CE296S/6RU*



- Adjustable roller and dead bolt  
*Rouleau réglable et pêne*
- Cylinder 6982/2535/4 except in  
ref. 596V33/6 with 6990/2535/4
- Cylindre 6982/2535/4 sauf en réf.  
596V33/6 avec 6990/2535/4*

**Strike plate series  
Gâche de série**

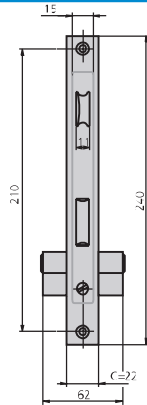
- Central fixed SS ref. CE196/6  
*Central fixe inox réf. CE196/6*
- 2 high/low fixed SS units ref.  
CE296S/6  
*2 unités haut et bas fixe inox réf.  
CE296S/6*

**Other strike plate options  
Autres options de gâche**

- Central fixed ref. CE196/1N  
*Central fixe réf. CE196/1N*
- Central adjustable ref. CE196/1NR  
or SS CE196/6RU  
*Central réglable réf. CE196/1NR ou  
inox CE196/6RU*
- High/low adjustable strike plate  
ref. CE296S/1NR or  
SS CE296S/6RU  
*Gâche haut et bas réglable réf.  
CE296S/1NR ou inox CE296S/6RU*

**SLIDING DEAD BOLT, 92 mm BETWEEN AXES / PÊNE COULISSANT ENTRE-AXES 92 mm**

**192 SERIES / SÉRIE 192**



**CHARACTERISTICS / CARACTÉRISTIQUES**

- 22mm SS front plate  
*Têtière inox de 22mm*
- 11 mm reversible latch bolt  
*Demi-tour réversible de 11 mm*
- 15mm zinc treated sides  
*Boîtier zingué de 15mm*
- 8 mm square ruler / Carré de 8 mm
- 2 nylon escutcheons ref. ES1984  
*2 plaques en nylon réf. ES1984*
- 2 nylon face plate ends ref. EMB196  
*2 bornes de têtière en nylon réf. EMB196*
- Cylinder set screw / Vis de fixation de cylindre

**OPTIONAL ACCESSORIES / ACCESSOIRES OPTIONNELS**

- Strike plates for given locks  
*Gâches selon serrure*  
*(See below / voir ci-dessous)*
- Complete range of cylinders  
*Gamme complète de cylindres*  
*(See page / voir page 111-120)*
- Security escutcheon BT194  
*Plaque de sécurité BT194*  
*(See page / voir page 33)*

**DESCRIPTION**

REF.  
RÉF.

MEASUREMENTS  
DIMENSIONS

CAM  
CAME

FINISH  
FINITIONS

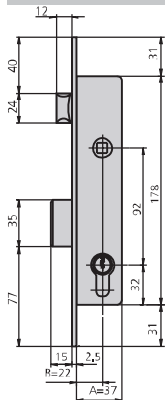
UNITS  
PIÈCES

B

A

FRONT PLATE  
TÊTIÈRE

CYLINDER  
CYLINDRE



- Latch bolt and dead bolt  
*Demi-tour et pêne*
- Double european profile cylinder.  
Cam: DIN  
*Cylindre europrofil came DIN*

192/25/6	22	37	15	AI	CN	1	20		
192/30/6	27	42	15	AI	CN	1	20		
192/35/6	32	47	15	AI	CN	1	20		

**Strike plate options**

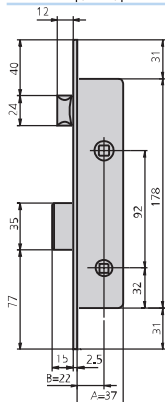
**Options de gâche**

- Fixed CE184/1N or SS CE184/6  
*Fixe CE184/1N ou inox CE184/6*
- Adjustable CE184/1NR or SS CE196/6RU  
*Réglable CE184/1NR ou inox CE196/6RU*

**Electric strike plate option**

**Option gâche électrique**

- CELC196/6A or I ou CELC196/6AD



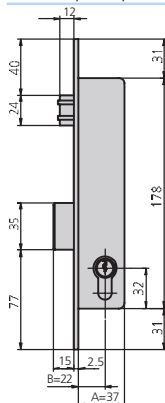
- Lock with dead bolt  
*Serrure avec condamnation*
- Without cylinder  
*Sans cylindre*

192C25/6	22	37		AI		2	40		
192C30/6	27	42		AI		2	40		
192C35/6	32	47		AI		2	40		

**Strike plate options**

**Options de gâche**

- Fixed CE184/1N or SS CE184/6  
*Fixe CE184/1N ou inox CE184/6*
- Adjustable CE184/1NR or SS CE196/6RU  
*Réglable CE184/1NR ou inox CE196/6RU*



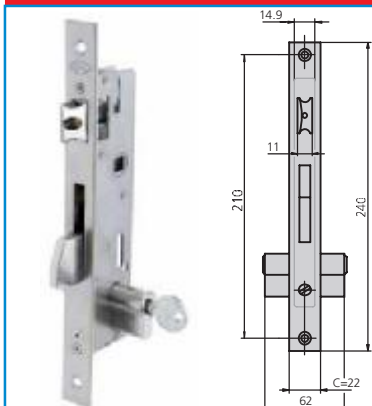
- Adjustable roller and dead bolt  
*Rouleau réglable et pêne*
- Double european profile cylinder.  
Cam: DIN  
*Cylindre europrofil came DIN*

192V25/6	22	37	15	AI	CN	1	20		
192V30/6	27	42	15	AI	CN	1	20		
192V35/6	32	47	15	AI	CN	1	20		

**Strike plate options**

**Options de gâche**

- Fixed CE184/1N or SS CE184/6  
*Fixe CE184/1N ou inox CE184/6*
- Adjustable CE184/1NR or SS CE196/6RU  
*Réglable CE184/1NR ou inox CE196/6RU*

**TILTING DEAD BOLT, 92 mm BETWEEN AXES / PÊNE BASCULANT ENTRE-AXES 92 mm**
**194 SERIES / SÉRIE 194**

**CHARACTERISTICS / CARACTÉRISTIQUES**

- 22mm flat SS front plate or 24.5x6 U-shaped SS front plate  
Têtière lisse inox de 22mm ou têtière inox en U de 24,5x6
- 11 mm reversible latch bolt / Demi-tour réversible de 11 mm
- Adjustable latch bolt, except in 25 mm entrance  
Demi-tour réglable sauf en entrée 25mm
- 15mm zinc treated sides / Boîtier zingué de 15mm
- 8 mm square ruler / Carré de 8 mm
- 2 nylon escutcheons ref. ES1984 / 2 plaques en nylon réf. ES1984
- 2 nylon face plate ends ref. EMB196 for smooth front plate  
2 bornes de têtière en nylon réf. EMB196 pour têtière lisse
- Cylinder set screw / Vis de fixation de cylindre



**OPTIONAL ACCESSORIES / ACCESSOIRES OPTIONNELS**

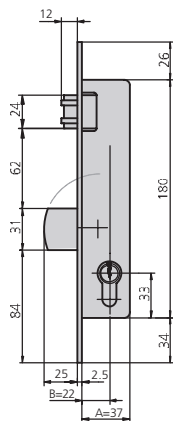
- Strike plates for given locks  
Gâches selon serrure  
(See below / voir ci-dessous)
- Complete range of cylinders  
Gamme complète de cylindres  
(See page / voir page 111-120)
- Security escutcheon BT1296  
Plaque de sécurité BT1296  
(See page / voir page 33)

DESCRIPTION	REF. RÉF.	MEASUREMENTS DIMENSIONS		CAM CAME	FINISH FINITIONS		UNITS PIÈCES			
		B	A		FRONT PLATE TÊTIÈRE	CYLINDER CYLINDRE				
<ul style="list-style-type: none"> <li>• Latch bolt and dead bolt Demi-tour et pêne</li> <li>• Double european profile cylinder. Cam: DIN Cylindre europrofil came DIN</li> </ul> <p><b>Optional strike plates Gâches optionnelles</b></p> <ul style="list-style-type: none"> <li>• Fixed ref. CE196/1N or fixed SS CE196/6 Fixe réf. CE196/1N ou fixe inox CE196/6</li> <li>• Adjustable CE196/1NR or adjustable SS CE196/6RU Réglable CE196/1NR ou réglable inox CE196/6RU</li> <li>• Electric strike plate option CELC196/6A or CELC196/6AD Option gâche électrique CELC196/6A ou CELC196/6AD</li> </ul>	194/25/6	22	37	15	AI	CN	1	20		
	194/25/6U	18	33	15	AI U	CN	1	20		
	194/30/6	27	42	15	AI	CN	1	20		
	194/30/6U	23	38	15	AI U	CN	1	20		
	194/35/6	32	47	15	AI	CN	1	20		
194/35/6U	28	43	15	AI U	CN	1	20			
<ul style="list-style-type: none"> <li>• Dead bolt only Pêne uniquement</li> <li>• Without cylinder Sans cylindre</li> </ul> <p><b>Optional strike plates Gâches optionnelles</b></p> <ul style="list-style-type: none"> <li>• Fixed ref. CE196/1N or fixed SS CE196/6 Fixe réf. CE196/1N ou fixe inox CE196/6</li> <li>• Adjustable CE196/1NR or adjustable SS CE196/6RU Réglable CE196/1NR ou réglable inox CE196/6RU</li> </ul>	194C25/6	22	37		AI		2	40		
	194C25/6U	18	33		AI U		2	40		
	194C30/6	27	42		AI		2	40		
	194C30/6U	23	38		AI U		2	40		
	194C35/6	32	47		AI		2	40		
194C35/6U	28	43		AI U		2	40			
<ul style="list-style-type: none"> <li>• Latch bolt only and single cylinder Demi-tour uniquement et demi cylindre</li> <li>• Single european profile cylinder. Cam: DIN Demi cylindre europrofil Came DIN</li> </ul> <p><b>Strike plate options Options de gâche</b></p> <ul style="list-style-type: none"> <li>• CELC196T/6A or / ou CELC196T/6AD</li> </ul>	194T25/6	22	37	15	AI	CN	1	20		
	194T25/6U	18	33	15	AI U	CN	1	20		
	194T30/6	27	42	15	AI	CN	1	20		
	194T30/6U	23	38	15	AI U	CN	1	20		
	194T35/6	32	47	15	AI	CN	1	20		
	194T35/6U	28	43	15	AI U	CN	1	20		

**TILTING DEAD BOLT, 92 mm BETWEEN AXES / PÊNE BASCULANT ENTRE-AXES 92 mm**

**194 SERIES / SÉRIE 194**

DESCRIPTION	REF. RÉF.	MEASUREMENTS DIMENSIONS		CAM CAME	FINISH FINITIONS		UNITS PIÈCES			
		B	A		FRONT PLATE TÊTIÈRE	CYLINDER CYLINDRE				
<ul style="list-style-type: none"> <li>Adjustable roller and dead bolt <i>Rouleau réglable et pêne</i></li> </ul>	194V25/6	22	37	15	AI	CN	1	20		
	194V25/6U	18	33	15	AI U	CN	1	20		
<ul style="list-style-type: none"> <li>Double european profile cylinder. Cam: DIN <i>Cylindre europrofil Came DIN</i></li> </ul>	194V30/6	27	42	15	AI	CN	1	20		
	194V30/6U	23	38	15	AI U	CN	1	20		
<p><b>Optional strike plates</b> <i>Gâches optionnelles</i></p> <ul style="list-style-type: none"> <li>Fixed ref. CE196/1N or fixed SS CE196/6 <i>Fixe réf. CE196/1N ou fixe inox CE196/6</i></li> <li>Adjustable CE196/1NR or adjustable SS CE196/6RU <i>Réglable CE196/1NR ou réglable inox CE196/6RU</i></li> </ul>	194V35/6	32	47	15	AI	CN	1	20		
	194V35/6U	28	43	15	AI U	CN	1	20		



**MULTIPOINT TILTING DEAD BOLT, 92 mm BETWEEN AXES /  
 PÊNE BASCULANT MULTIPOINT ENTRE-AXES 92 mm**
**294 SERIES / SÉRIE 294**

**CHARACTERISTICS /  
 CARACTÉRISTIQUES**

- 1850x22mm SS front plate  
*Têtière inox de 1850x22mm*
- 11 mm reversible latch bolt  
*Demi-tour réversible de 11 mm*
- Adjustable latch bolt, except in 25 mm entrance  
*Demi-tour réglable sauf en gamme complète de cylindres de entrée 25mm*
- 15mm zinc treated sides  
*Boîtier zingué de 15mm*
- 8 mm square ruler  
*Carré de 8 mm*
- Passing security escutcheon ref. BT1296/1N  
*Plaque de sécurité passante réf. BT1296/1N*
- Strike plate series for given locks  
*Gâches de série selon serrure*
- 2 nylon front plate ends ref. EMB196  
*2 bornes de têtière en nylon réf. EMB196*
- Cylinder set screw  
*Vis de fixation de cylindre*



**OPTIONAL ACCESSORIES /  
 ACCESSOIRES OPTIONELS**

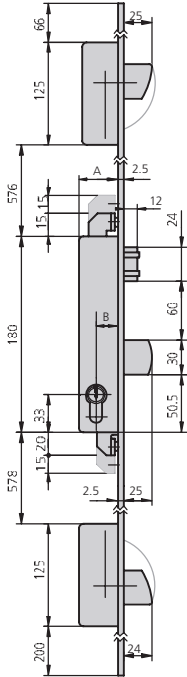
- Other strike plates for given locks  
*Autres gâches selon serrure (See below / voir ci-dessous)*
- Complete range of cylinders  
*Gamme complète de cylindres (See page / voir page 117-120)*

DESCRIPTION	REF. RÉF.	MEASUREMENTS DIMENSIONS		CAM CAME	FINISH FINITIONS	UNITS PIÈCES			
		B	A			FRONT PLATE TÊTIÈRE	CYLINDER CYLINDRE		
<ul style="list-style-type: none"> <li>• Latch bolt and dead bolt  <i>Demi-tour et pêne</i></li> </ul>	294/25/6	22	37	15	AI	CN	1		
<ul style="list-style-type: none"> <li>• Double european profile security cylinder: Cam: DIN</li> </ul>	294/30/6	27	42	15	AI	CN	1		
<ul style="list-style-type: none"> <li>• Cylinder europrofil de sécurité Came DIN</li> </ul>	294/35/6	32	47	15	AI	CN	1		
<p><b>Strike plate series</b>  <i>Gâche de série</i></p> <ul style="list-style-type: none"> <li>• Central fixed SS ref. CE196/6  <i>Central fixe inox réf. CE196/6</i></li> <li>• 2 high/low fixed SS units ref. CE296S/6  <i>2 unités haut et bas fixe inox réf. CE296S/6</i></li> </ul> <p><b>Other strike plate options</b>  <i>Autres options de gâche</i></p> <ul style="list-style-type: none"> <li>• Central fixed ref. CE196/1N  <i>Central fixe réf. CE196/1N</i></li> <li>• Central adjustable ref. CE196/1NR or SS CE196/6RU  <i>Central réglable réf. CE196/1NR ou inox CE196/6RU</i></li> <li>• High/low adjustable strike plate ref. CE296S/1NR or SS CE296S/6RU  <i>Gâche haut et bas réglable CE296S/1NR ou inox CE296S/6RU</i></li> </ul> <p><b>Electric strike plate option</b>  <i>Option gâche électrique</i></p> <ul style="list-style-type: none"> <li>• CELC196/6A or I ou CELC196/6AD</li> </ul>									

**MULTIPOINT TILTING DEAD BOLT, 92 mm BETWEEN AXES /  
PÊNE BASCULANT MULTIPOINT ENTRE-AXES 92 mm**

**294 SERIES / SÉRIE 294**

DESCRIPTION	REF. RÉF.	MEASUREMENTS DIMENSIONS		CAM CAME	FINISH FINITIONS		UNITS PIÈCES	
		B	A		FRONT PLATE TÊTIÈRE	CYLINDER CYLINDRE		



- Adjustable roller and dead bolt  
*Rouleau réglable et pêne*
- Double european profile security cylinder. Cam: DIN  
*Cylindre europrofil de sécurité came DIN*

294V25/6	22	37	15	AI	CN	1		
294V30/6	27	42	15	AI	CN	1		
294V35/6	32	47	15	AI	CN	1		

**Strike plate series**

*Gâche de série*

- Central fixed SS ref. CE196/6  
*Central fixe inox réf. CE196/6*
- 2 high/low fixed SS units ref. CE296S/6  
*2 unités haut et bas fixe inox réf. CE296S/6*

**Other strike plate options**

*Autres options de gâche*

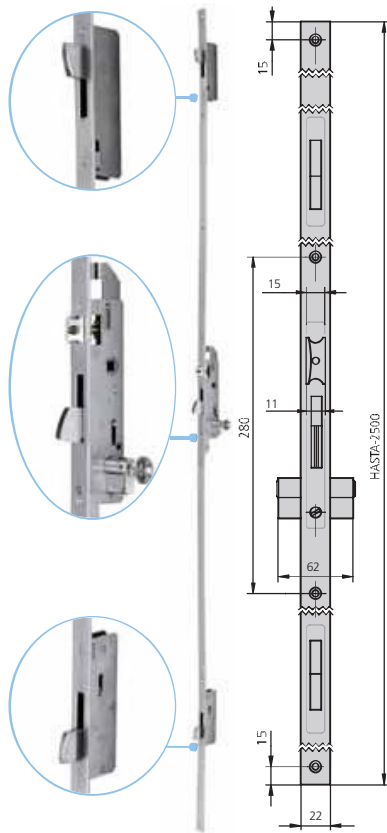
- Central fixed ref. CE196/1N  
*Central fixe réf. CE196/1N*
- Central adjustable ref. CE196/1NR or SS CE196/6RU  
*Central réglable réf. CE196/1NR ou inox CE196/6RU*
- High/low adjustable strike plate ref. CE296S/1NR or SS CE296S/6RU  
*Gâche haut et bas réglable réf. CE296S/1NR ou inox CE296S/6RU*





**MULTIPOINT TILTING DEAD BOLT WITH SPECIAL FRONT PLATE, 92 mm BETWEEN AXES /  
TÊTIÈRE SPÉCIALE MULTIPOINT PÈNE BASCULANT ENTRE-AXES 92 mm**

**494 SERIES / SÉRIE 494**



**CHARACTERISTICS /  
CARACTÉRISTIQUES**

- 22mm wide SS front plate, up to 2,500mm high  
*Têtière inox de 22mm de large et jusqu'à 2.500mm de haut*
- 11 mm reversible latch bolt  
*Demi-tour réversible de 11 mm*
- Adjustable latch bolt, except in 25 mm entrance  
*Demi-tour réglable sauf en entrée 25mm*
- 15mm zinc treated sides  
*Boîtier zingué de 15mm*
- 8 mm square ruler  
*Carré de 8 mm*
- Passing security escutcheon ref. BTI296/1N  
*Plaque de sécurité passante réf. BTI296/1N*
- Strike plate series for given locks  
*Gâches de série selon serrure*
- 2 nylon face plate ends ref. EMB196  
*2 bornes de têtière en nylon réf. EMB196*
- Cylinder set screw  
*Vis de fixation de cylindre*



**OPTIONAL ACCESSORIES /  
ACCESSOIRES OPTIONNELS**

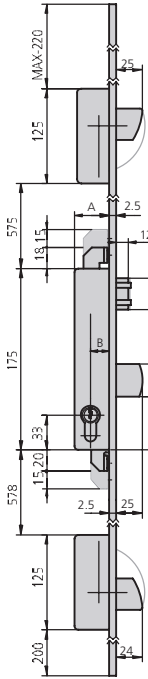
- Other strike plates for given locks  
*Autres gâches selon serrure (See below / voir ci-dessous)*
- Complete range of cylinders  
*Gamme complète de cylindres (See page / voir page 117-120)*

DESCRIPTION	REF. RÉF.	MEASUREMENTS DIMENSIONS		CAM CAME	FINISH FINITIONS		UNITS PIÈCES	
		B	A		FRONT PLATE TÊTIÈRE	CYLINDER CYLINDRE		
<ul style="list-style-type: none"> <li>• Latch bolt and dead bolt <i>Demi-tour et pêne</i></li> <li>• Double european profile security cylinder. Cam: DIN <i>Cylindre europrofil de sécurité came DIN</i></li> </ul>	494/25/6	22	37	15	AI	CN	1	
	494/30/6	27	42	15	AI	CN	1	
	494/35/6	32	47	15	AI	CN	1	
<p><b>Strike plate series</b> <i>Gâche de série</i></p> <ul style="list-style-type: none"> <li>• Central fixed SS ref. CE196/6 <i>Central fixe inox réf. CE196/6</i></li> <li>• 2 high/low fixed SS units ref. CE296S/6 <i>2 unités haut et bas fixe inox réf. CE296S/6</i></li> </ul> <p><b>Other strike plate options</b> <i>Autres options de gâche</i></p> <ul style="list-style-type: none"> <li>• Central fixed ref. CE196/1N <i>Central fixe réf. CE196/1N</i></li> <li>• Central adjustable ref. CE196/1NR or SS CE196/6RU <i>Central réglable réf. CE196/1NR ou inox CE196/6RU</i></li> <li>• High/low adjustable strike plate ref. CE296S/1NR or SS CE296S/6RU <i>Gâche haut et bas réglable réf. CE296S/1NR ou inox CE296S/6RU</i></li> </ul> <p><b>Electric strike plate option</b> <i>Option gâche électrique</i></p> <ul style="list-style-type: none"> <li>• CELC196/6A or I ou CELC196/6AD</li> </ul>								







**MULTIPOINT TILTING DEAD BOLT WITH SPECIAL FRONT PLATE, 92 mm BETWEEN AXES /  
TÊTIÈRE SPÉCIALE MULTIPOINT PÈNE BASCULANT ENTRE-AXES 92 mm**

**494 SERIES / SÉRIE 494**

DESCRIPTION	REF. RÉF.	MEASUREMENTS DIMENSIONS		CAM CAME	FINISH FINITIONS		UNITS PIÈCES	
		B	A		FRONT PLATE TÊTIÈRE	CYLINDER CYLINDRE		



- Adjustable roller and dead bolt  
*Rouleau réglable et pêne*
- Double european profile security cylinder. Cam: DIN  
*Cylindre europrofil de sécurité came DIN*

494V25/6	22	37	15	Al	CN	1		
494V30/6	27	42	15	Al	CN	1		
494V35/6	32	47	15	Al	CN	1		

**Strike plate series**

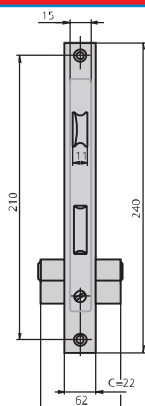
**Gâche de série**

- Central fixed SS ref. CE196/6  
*Central fixe inox réf. CE196/6*
- 2 high/low fixed SS units ref. CE296S/6  
*2 unités haut et bas fixe inox réf. CE296S/6*

**Other strike plate options**

**Autres options de gâche**

- Central fixed ref. CE196/1N  
*Central fixe réf. CE196/1N*
- Central adjustable ref. CE196/1NR or SS CE196/6RU  
*Central réglable réf. CE196/1NR ou inox CE196/6RU*
- High/low adjustable strike plate ref. CE296S/1NR or SS CE296S/6RU  
*Gâche haut et bas réglable réf. CE296S/1NR ou inox CE296S/6RU*

**SLIDING DEAD BOLT, 70 mm BETWEEN AXES / PÊNE COULISSANT ENTRE-AXES 70 mm**
**183 SERIES / SÉRIE 183**

**CHARACTERISTICS / CARACTÉRISTIQUES**

- 22mm SS front plate  
*Têtière inox de 22mm*
- 11 mm reversible latch bolt  
*Demi-tour réversible de 11 mm*
- 15 mm bichromate treated sides  
*Boîtier bichromé de 15 mm*
- 8 mm square ruler / Carré de 8 mm
- 2 nylon escutcheons ref. ES1984  
*2 plaques en nylon réf. ES1984*
- 2 nylon face plate ends ref. EMB196  
*2 bornes de têtière en nylon réf. EMB196*
- Cylinder set screw / Vis de fixation de cylindre

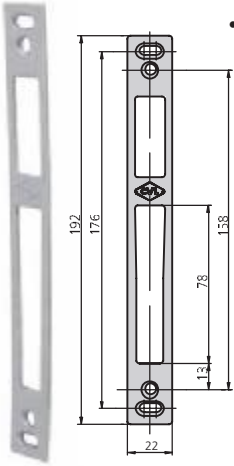

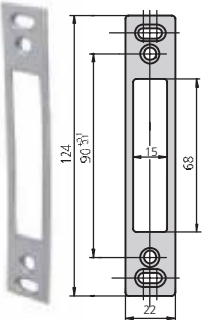

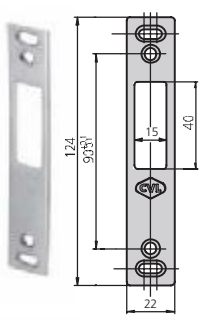

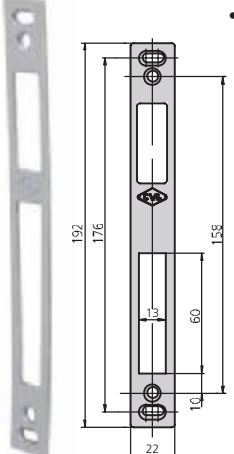

**OPTIONAL ACCESSORIES / ACCESSOIRES OPTIONNELS**

- Strike plates for given locks  
*Gâches selon serrure*  
*(See below / voir ci-dessous)*
- Complete range of cylinders  
*Gamme complète de cylindres*  
*(See page / voir page 111-120)*
- Security escutcheon BT194  
*Plaque de sécurité BT194*  
*(See page / voir page 33)*

DESCRIPTION	REF. RÉF.	MEASUREMENTS DIMENSIONS		CAM CAME	FINISH FINITIONS	UNITS PIÈCES				
		B	A			FRONT PLATE TÊTIÈRE	CYLINDER CYLINDRE			
<ul style="list-style-type: none"> <li>• Latch bolt and dead bolt <i>Demi-tour et pêne</i></li> <li>• Double european profile cylinder. <i>Cam: DIN</i> <i>Cylindres europrofil à came DIN</i></li> </ul> <p><b>Strike plate options</b> <i>Options de gâche</i></p> <ul style="list-style-type: none"> <li>• Fixed ref. CE183/1N or fixed SS ref. CE184/6 <i>Fixe réf. CE183/1N ou fixe inox réf. CE184/6</i></li> <li>• Adjustable ref. CE183/1NR or adjustable SS CE196/6R <i>Réglable réf. CE183/1NR ou réglable inox CE196/6R</i></li> <li>• Electric strike plates ref. CELC196/6A or CELC196/6AD <i>Option gâches électriques réf. CELC196/6A ou CELC196/6AD</i></li> </ul>	183/25/0	22	37	15	HN	CN	1	20		
	183/25/6	22	37	15	AI	CN	1	20		
	183/30/0	27	42	15	HN	CN	1	20		
	183/30/6	27	42	15	AI	CN	1	20		
	183/35/0	32	47	15	HN	CN	1	20		
	183/35/6	32	47	15	AI	CN	1	20		
<ul style="list-style-type: none"> <li>• With dead bolt <i>Avec condamnation</i></li> <li>• Without cylinder <i>Sans cylindre</i></li> </ul> <p><b>Strike plate options</b> <i>Options de gâche</i></p> <ul style="list-style-type: none"> <li>• Fixed ref. CE183/1N or fixed SS ref. CE184/6 <i>Fixe réf. CE183/1N ou fixe inox réf. CE184/6</i></li> <li>• Adjustable ref. CE183/1NR or adjustable SS CE196/6R <i>Réglable réf. CE183/1NR ou réglable inox CE196/6R</i></li> </ul>	183C25/6	22	37		AI		2	40		
	183C30/6	27	42		AI		2	40		
	183C35/6	32	47		AI		2	40		
<ul style="list-style-type: none"> <li>• Latch bolt only and single cylinder <i>Demi-tour uniquement et demi cylindre</i></li> <li>• Single european profile cylinder. <i>Cam: DIN</i> <i>Demi cylindre europrofil came DIN</i></li> <li>• Electric strike plate option CELC196T/6A or CELC196T/6AD <i>Option gâche électrique CELC196T/6A ou CELC196T/6AD</i></li> </ul>	183T25/6	22	37	15	AI	CN	1	20		
	183T30/6	27	42	15	AI	CN	1	20		
	183T35/6	32	47	15	AI	CN	1	20		



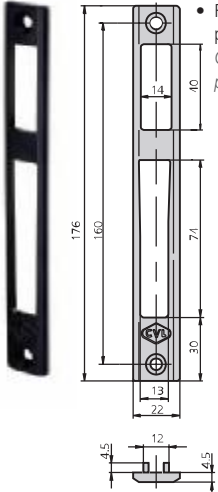
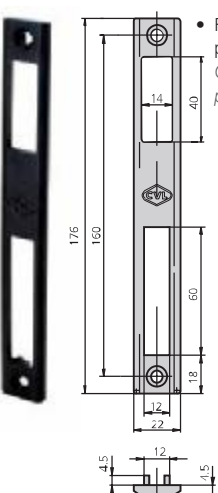
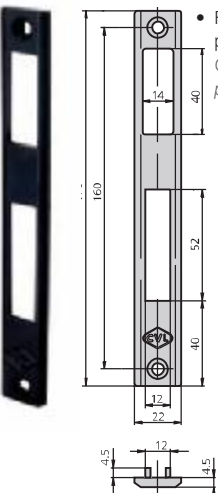
ACCESSORIES / ACCESSOIRES

STRIKE PLATES / GÂCHE

DESCRIPTION	REF. RÉF.	APPLIES TO LOCKS APPLICABLE A SERRURES	UNITS PIÈCES
 <ul style="list-style-type: none"> <li>Fixed stainless steel strike plate <i>Gâche fixe en acier inoxydable</i></li> </ul>	CE196/6	196, 196C, 196V, 197, 194, 194C, 194V, 296, 296V, 496, 496V, 596, 596V, 294, 294V, 494, 494V	
 <ul style="list-style-type: none"> <li>Fixed stainless steel strike plate for dead bolt only <i>Gâche fixe en acier inoxydable pour pêne uniquement</i></li> </ul>	CE296S/6	184A, 196A, 197K, 296A, 496A, 596A, 294A, 494A, suplementos altobajo de las series 296, 496, 596, 294 y 494	
 <ul style="list-style-type: none"> <li>Fixed stainless steel strike plate for latch bolt only <i>Gâche fixe en acier inoxydable pour demi-tour uniquement</i></li> </ul>	CE196R/6	184R, 184RV, 196T, 183T, 194T	
 <ul style="list-style-type: none"> <li>Fixed stainless steel strike plate <i>Gâche fixe en acier inoxydable</i></li> </ul>	CE184/6	184, 184C, 184V, 192, 192C, 192V, 183, 183C	

**ACCESSORIES / ACCESSOIRES**

**STRIKE PLATES / GÂCHE**

DESCRIPTION	REF. RÉF.	APPLIES TO LOCKS APPLICABLE A SERRURES	UNITS PIÈCES  
 <ul style="list-style-type: none"> <li>Fixed metal strike plate painted black <i>Gâche fixe métallique peinte en noir</i></li> </ul>	CE196/1N	196, 196C, 196V, 194, 194C, 194V, 296, 296V, 496, 496V, 596, 596V, 294, 294V, 494, 494V	
 <ul style="list-style-type: none"> <li>Fixed metal strike plate painted black <i>Gâche fixe métallique peinte en noir</i></li> </ul>	CE184/1N	184, 184C, 184V, 192, 192C, 192V	
 <ul style="list-style-type: none"> <li>Fixed metal strike plate painted black <i>Gâche fixe métallique peinte en noir</i></li> </ul>	CE183/1N	183, 183C	